



## XIAMEN ART SIGN CO.,LTD

Tel: 0086-592-6266951

Fax: 0086-592-6266952

Add: 7-8# Guannan Industrial Park Jimei District Xiamen China

E-mail: [artsignenergy@artsign.net.cn](mailto:artsignenergy@artsign.net.cn)



[www.artsignenergy.com](http://www.artsignenergy.com)

ARTSIGN Version Jan 2019



**ACCESSORIES  
SLOPING ROOF  
FLAT ROOF**

## XIAMEN ART SIGN CO.,LTD

ART SIGN is focused on designing and manufacturing solar PV mounting solutions and products.

# XIAMEN ART SIGN CO.,LTD

**" Unique design, For your exclusive Market ! "**

Founded in 2006, Artsign is the designer and producer of aluminum and steel products. We supply rooftop and open filed mounting structure for solar panel, with quality material aluminum and carbon steel..

• **Our Factory**

Artsign has own buildings which occupies an area of 10500 square meters for office working, equipment production, products packing so that we can control the production and cost.

• **Our R&D Department**

To meet the market request, our professional R&D department always create and improve the new design of solar mounting system.

• **Our Production Ability**

Till now, Artsign can produce around 15-20MW of mounting structure per month.

• **Our Inspection Team**

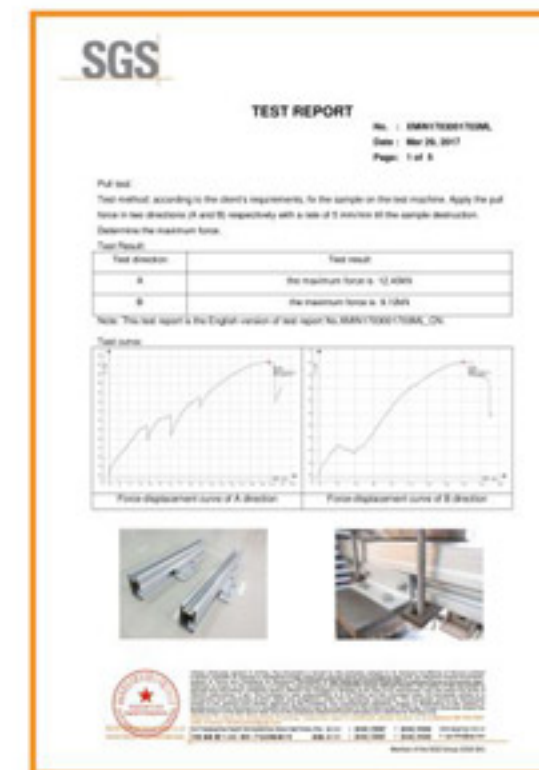
Artsign has built inspection team to inspect products from raw material to the end of shipment, which make sure you can receive the goods as expected.

• **After-sale Service**

Our sales team always follows your goods after leaving our warehouse. If any problem occur, we will assist to solve the problem at first time. Your further feedback or opinion will also be adopted and improved in our future work.



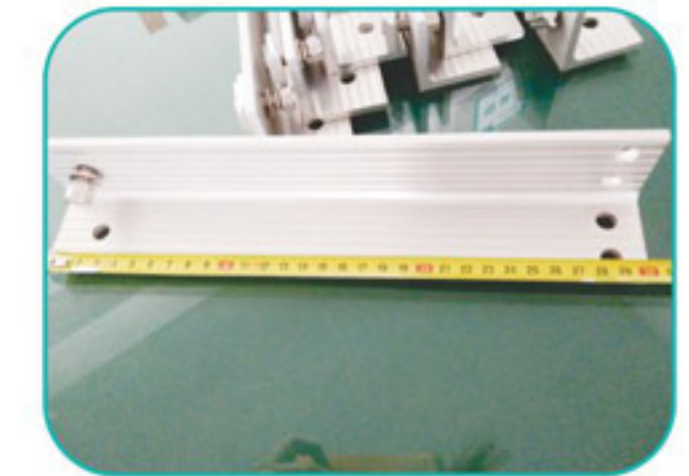
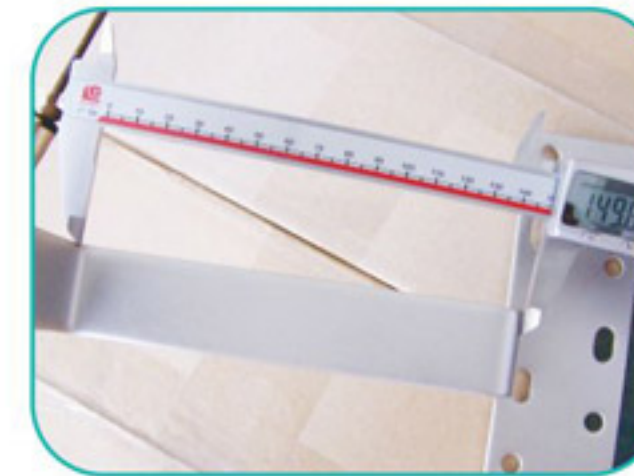
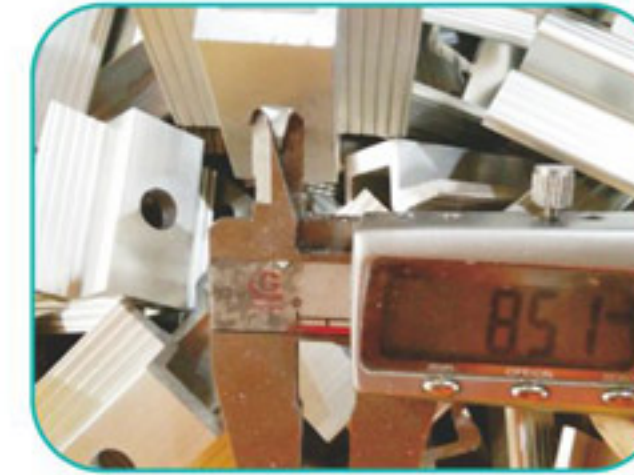
## CERTIFICATE



OUR EQUIPMENT



OUR INSPECTION



OUR PRODUCTION PROCESS



Raw Material



cutting



Punching



Drilling

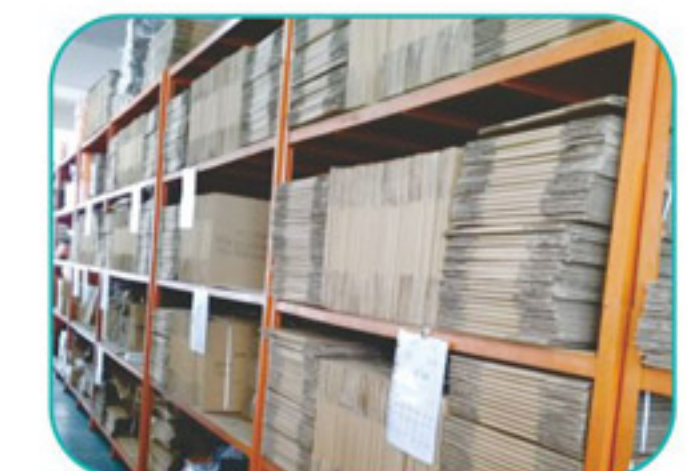


Pre-assembly



Package

OUR PACKAGE



**solar mounting Components**

ART SIGN can supply OEM & ODM service

- ① ALUMINUM ROOF BRACKET ----- 1/4
- ② STAINLESS STEEL ROOF HOOKS ----- 4/5
- ③ MODULE CLAMPS ----- 5/6
- ④ GROUNDING CLIPS ----- 7/8
- ⑤ CABLE CLIP ----- 8
- ⑥ ADJUSTABLE TILT KITS ----- 9
- ⑦ TRIANGLE KIT AND ACCESSORIES ----- 9/10
- ⑧ ALUMINUM PROFILE AND ACCESSORIES ----- 11/12

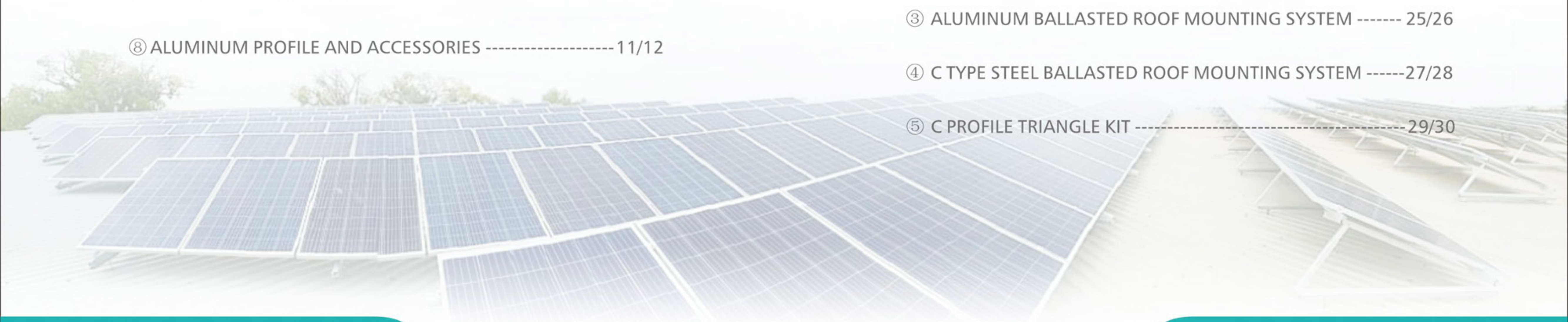
**solar mounting solutions**

**1.SLOPING ROOF**

- ① TILE ROOF MOUNTING SYSTEM -----13/14
- ② METAL ROOF MOUNTING SYSTEM -----15/16
- ③ RAILLESS ROOF MOUNTING SYSTEM -----17/18
- ④ STANDING SEAM ROOF CLIP( N SERIES ROOF CLIP) -----19/20

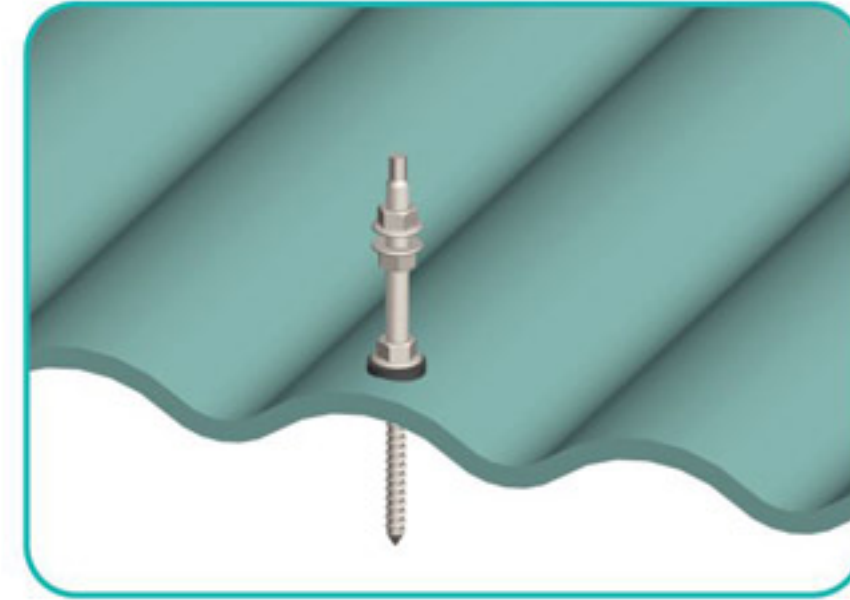
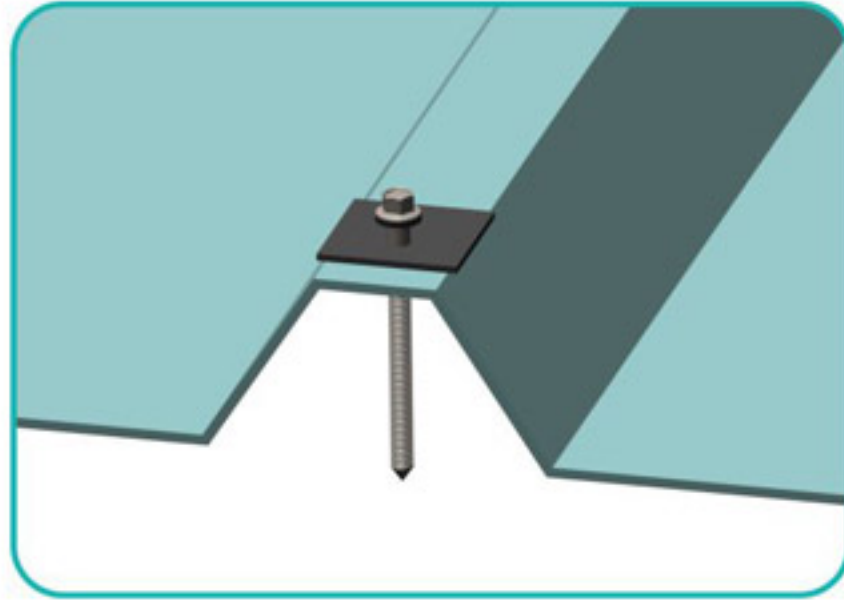
**2.FLAT ROOF**

- ① ADJUSTABLE TILT KIT ----- 21/22
- ② ANGLE BAR TRIANGLE KIT ----- 23/24
- ③ ALUMINUM BALLASTED ROOF MOUNTING SYSTEM ----- 25/26
- ④ C TYPE STEEL BALLASTED ROOF MOUNTING SYSTEM -----27/28
- ⑤ C PROFILE TRIANGLE KIT -----29/30



## ALUMINUM ROOF BRACKET

### • Fixing on the roof purlin



#### Design Features

- Fix the roof bracket on the roof via self-tapping screw or hanger bolt.
- 4 kinds of L foot height to meet different demand of Heat-evacuation under solar panels.
- Material:aluminum 6005-T5



#### AS-RH-02

Roof hook 2#  
40mm width  
Self-tapping screw M6.3\*80  
Application: metal / tin roof



#### AS-RH-02W

Roof hook 2W#  
50mm width  
Hanger bolt: M10\*200  
Application: metal /tin roof



#### AS-RH-105

Roof hook 105#  
40/50/60mm width  
Self-tapping screw M6.3\*80  
Application: metal / tin roof



#### AS-RH-125

Roof hook 125#  
40mm width  
Self-tapping screw M6.3\*80  
Application: metal / tin roof



#### AS-RH-150

Roof hook 150#  
40mm width  
Self-tapping screw M6.3\*80  
Application: metal / tin roof



#### AS-RH-19

Roof hook 19#  
Self-tapping screw M6.3\*25 3pcs  
Application: metal roof



#### AS-RH-20

Roof hook 20#  
Self-tapping screw M6.3\*25 4pcs  
Application:tile/ceramic roof



#### AS-SDB-5.5-L

Self Drilling Bolt  
Spec.:M5.5\*25  
Material:steel Q235/SUS304



#### AS-SDB-6.3-L

Self Drilling Bolt  
Spec.:M6.3\*25, M6.3\*75  
Material:steel Q235/SUS304



#### AS-STB-6.3-L

Cutting thread selfing tapping screw  
Spec.:M6.3\*25, M6.3\*80, M6.3\*100  
Material:steel Q235/SUS304



#### AS-HB-10-200

Hanger bolt  
Spec.: M10\*200  
Material:SUS304

### • Non-penetrating aluminum roof bracket



- Without destroy the roofs.
- Various roof bracket for different size of roof.
- Material: aluminum 6005-T5



#### AS-ARH-01

Roof bracket 1#  
L80\*W50\*H84mm  
Application:  
metal / tin roof



#### AS-ARH-02

Roof bracket 2#  
L80\*W50\*H61mm  
Application:  
metal / tin roof



#### AS-ARH-02B

Roof bracket 2B#  
L80\*W50\*H61mm  
Application:  
metal / tin roof



#### AS-ARH-03

Roof bracket 3#  
L50\*W40\*H62mm  
Application:  
metal / tin roof



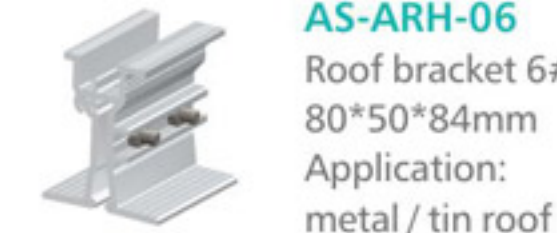
#### AS-ARH-04

Roof bracket 4#  
L80\*W50\*H89mm  
Application:  
metal / tin roof



#### AS-ARH-04B

Roof bracket 4B#  
L80\*50\*63.3mm  
Application:  
metal / tin roof



#### AS-ARH-06

Roof bracket 6#  
80\*50\*84mm  
Application:  
metal / tin roof



#### AS-ARH-07

Roof bracket 7#  
80\*40\*83mm  
Application:  
metal / tin roof



#### AS-ARH-08A

Roof bracket 8A#  
L100\*W100\*56.6mm  
Application:  
metal / tin roof,  
roof rib:18mm

## COMPONENTS LIST



**AS-ARH-08B**  
Roof bracket 8B#  
L100\*W100\*56.6mm  
Application:  
metal / tin roof,  
roof rib:26mm



**AS-ARH-10A**  
Roof bracket 10A#  
L80\*W50\*90.8mm  
Application:  
metal / tin roof,



**AS-ARH-10B**  
Roof bracket 10B#  
L80\*W50\*88.8mm  
Application:  
metal / tin roof,



**AS-ARH-11**  
Roof bracket 11#  
L70\*W75mm  
Application:  
metal / tin roof,



**AS-ARH-12**  
Roof bracket 12#  
L60\*W68.7\*63.6mm  
Application:  
metal / tin roof,

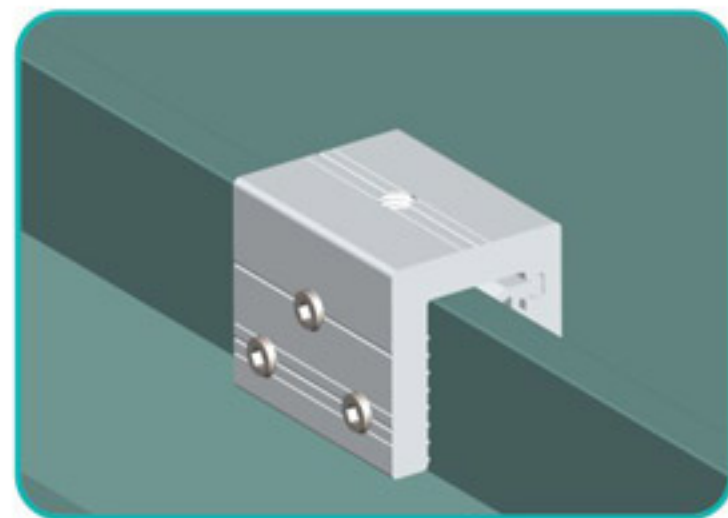


**AS-ARH-13**  
Roof bracket 13#  
L112\*W112\*59.8mm  
Application:  
metal / tin roof,



**AS-ARH-14**  
Roof bracket 14#  
L112\*W112\*33mm  
Application: metal / tin roof,

### • N clip series



- Non-penetrating the roof.
- Various N clip which is fit for different roof shape.
- Material: aluminum 6005-T5



**AS-N50-01A**  
N Clip 01A#  
L50\*W37\*H42mm  
Material: aluminum 6005-T5  
Application: metal / tin roof

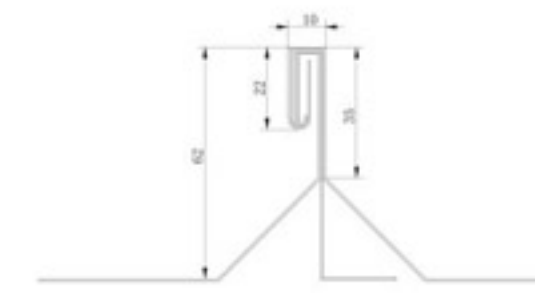


**AS-N50-02E**  
N Clip 02E#  
L50\*W38\*H42mm  
Material: aluminum 6005-T5  
Application: metal / tin roof

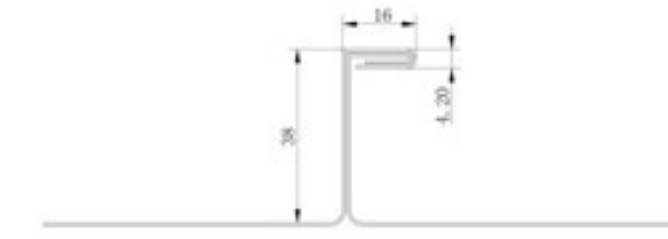
## COMPONENTS LIST



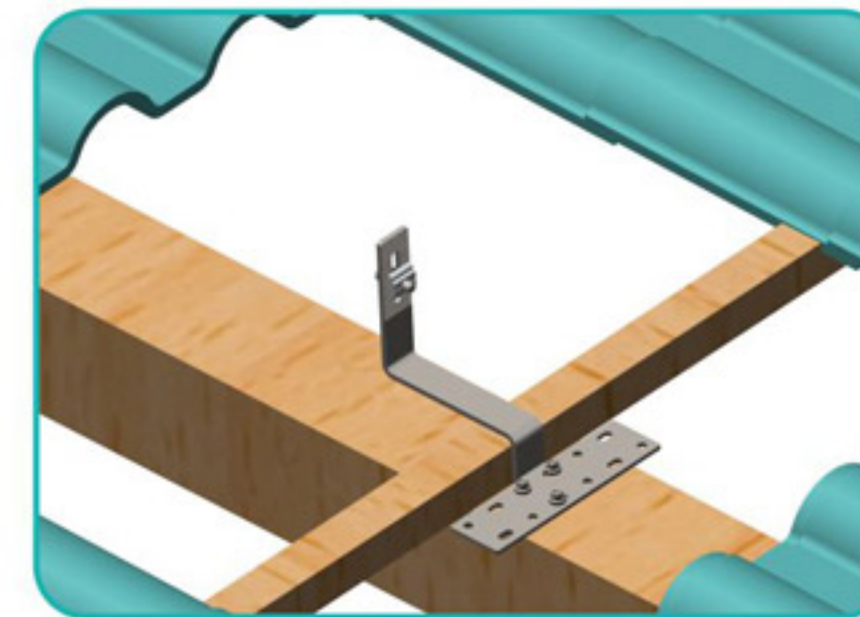
**AS-N50-02F**  
N Clip 02F#  
L50\*W38\*H42mm  
Material: aluminum 6005-T5  
Application: metal / tin roof



**AS-N50-03**  
N Clip 03#  
L50\*W38\*H42mm  
Material: aluminum 6005-T5  
Application: metal / tin roof



## STAINLESS STEEL ROOF HOOKS



- Various stainless steel roof hooks for option.
- Material: SUS304



**AS-RH-01**  
Roof hook 1#  
Self-tapping screw  
M6.3\*80 3pcs  
Application:  
tile / ceramic roof



**AS-RH-03**  
Roof hook 3#  
Self-tapping screw  
M5.5\*25 4pcs  
Application:  
tin / metal roof



**AS-RH-03B**  
Roof hook 03B#  
Self-tapping screw  
M5.5\*25 4pcs  
Application:  
tin/metal roof



**AS-RH-04**  
Roof hook 4#  
Self-tapping screw  
M6.3\*80 3pcs  
Application:  
tile / ceramic roof



**AS-RH-05**  
Roof hook 5#  
Self-tapping screw  
M6.3\*80 2pcs  
Application:  
tile / ceramic roof



**AS-RH-06**  
Roof hook 6#  
Self-tapping screw  
M6.3\*80 2pcs  
Application:  
tile / ceramic roof

## COMPONENTS LIST



**AS-RH-07**  
Roof hook 7#  
Self-tapping screw  
M6.3\*80 3pcs  
Application:  
tile / ceramic roof



**AS-RH-08**  
Roof hook 8#  
Self-tapping screw  
M6.3\*80 3pcs  
Application:  
tile / ceramic roof



**AS-RH-09**  
Roof hook 9#  
Hanger bolt M10\*200  
Application:  
tin/metal roof



**AS-RH-10**  
Roof hook 10#  
Material: SUS304  
Self-tapping screw  
M6.3\*80 2pcs  
Application:  
tile / ceramic roof



**AS-RH-11**  
Roof hook 11#  
Material: SUS304  
Self-tapping screw  
M6.3\*80 2pcs  
Application:  
tile / ceramic roof



**AS-RH-12**  
Roof hook 12#  
Self-tapping screw  
M6.3\*80 3pcs  
Application:  
tile / ceramic roof

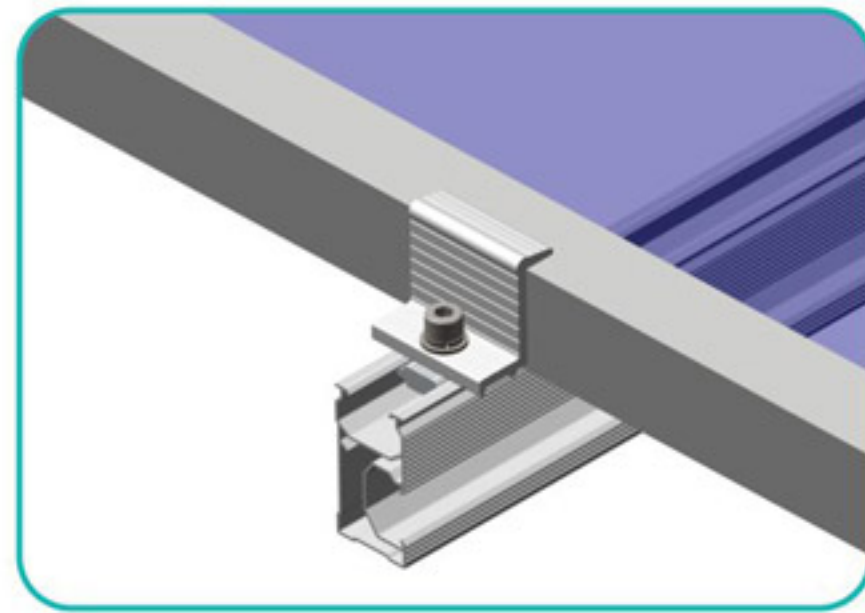
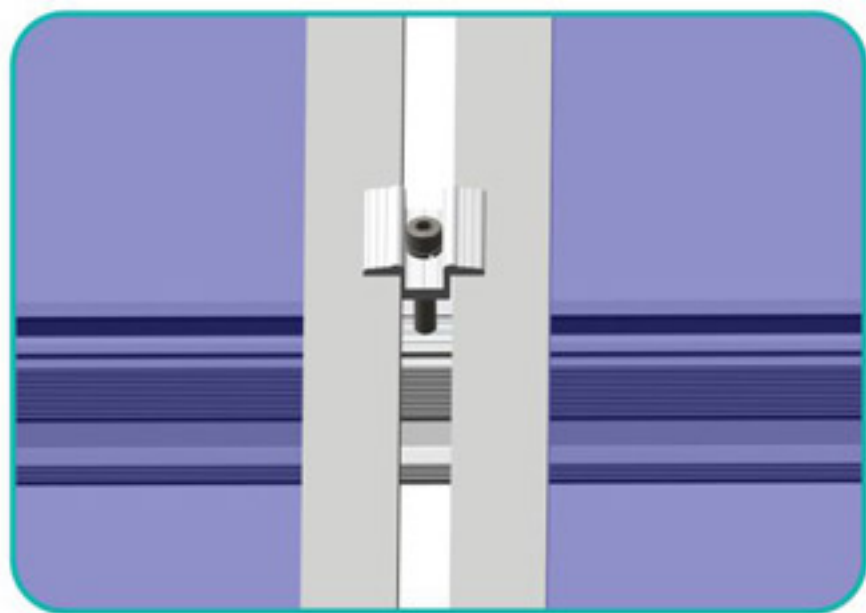


**AS-RH-13**  
Roof hook 13#  
Self-tapping screw  
M6.3\*80 3pcs  
Application:  
tile / ceramic roof



**AS-RH-14**  
Roof hook 14#  
Self-tapping screw  
M6.3\*80 3pcs  
Application:  
tile / ceramic roof

## MODULE CLAMPS



— framed module or thin film solar panel (double glass)



**AS-DMC**  
D rail mid clamp  
40/50mm width  
Material: aluminum 6005-T5  
Application: Framed panel,  
aluminum rail - D nut series



**AS-DEC**  
D rail end clamp  
40/50mm width  
Material: aluminum 6005-T5  
Application: Framed panel,  
aluminum rail - D nut series

## COMPONENTS LIST



**AS-MC**  
E rail mid clamp  
40/50mm width  
Material:  
aluminum 6005-T5  
Application: Framed panel,  
aluminum rail - e module series



**AS-STMC**  
T bolt mid clamp  
40/50mm width  
Material:  
aluminum 6005-T5  
Application: Framed panel,  
aluminum rail - T bolt series



**AS-AMC**  
Adjustable mid clamp  
50mm width  
Material:  
aluminum 6005-T5  
Application: Frame panel  
thickness 30-50mm  
aluminum rail - n module  
series



**AS-EC**  
E rail end clamp  
40/50mm width  
Material:  
aluminum 6005-T5  
Application: Framed panel,  
aluminum rail - e module series



**AS-STEC**  
T bolt end clamp  
40/50mm width  
Material:  
aluminum 6005-T5  
Application: Framed panel,  
aluminum rail - T bolt series



**AS-AEC**  
Adjustable end clamp  
50mm width  
Material:  
aluminum 6005-T5  
Application: Frame panel  
thickness 30-50mm  
aluminum rail - n module  
series



**AS-STMC02**  
mid clamp  
40/50mm width  
Material:  
aluminum 6005-T5  
Application:  
C profile triangle kit



**AS-DTFMC**  
D rail thin film mid clamp  
80mm width  
Material:  
aluminum 6005-T5  
Application: thin film  
thickness 3-8mm,  
aluminum rail- D nut series



**AS-DTFEC**  
D rail thin film end clamp  
80mm width  
Material:  
aluminum 6005-T5  
Application: thin film  
thickness 3-8mm,  
aluminum rail- D nut series



**AS-STEC02**  
end clamp  
40/50mm width  
Material:  
aluminum 6005-T5  
Application:  
C profile triangle kit



**AS-TFMC**  
E rail thin film mid clamp  
80mm width  
Material:  
aluminum 6005-T5  
Application: thin film  
thickness 3-8mm,  
aluminum rail- e nut series



**AS-TFEC**  
E rail thin film end clamp  
80mm width  
Material:  
aluminum 6005-T5  
Application: thin film  
thickness 3-8mm,  
aluminum rail- e nut series

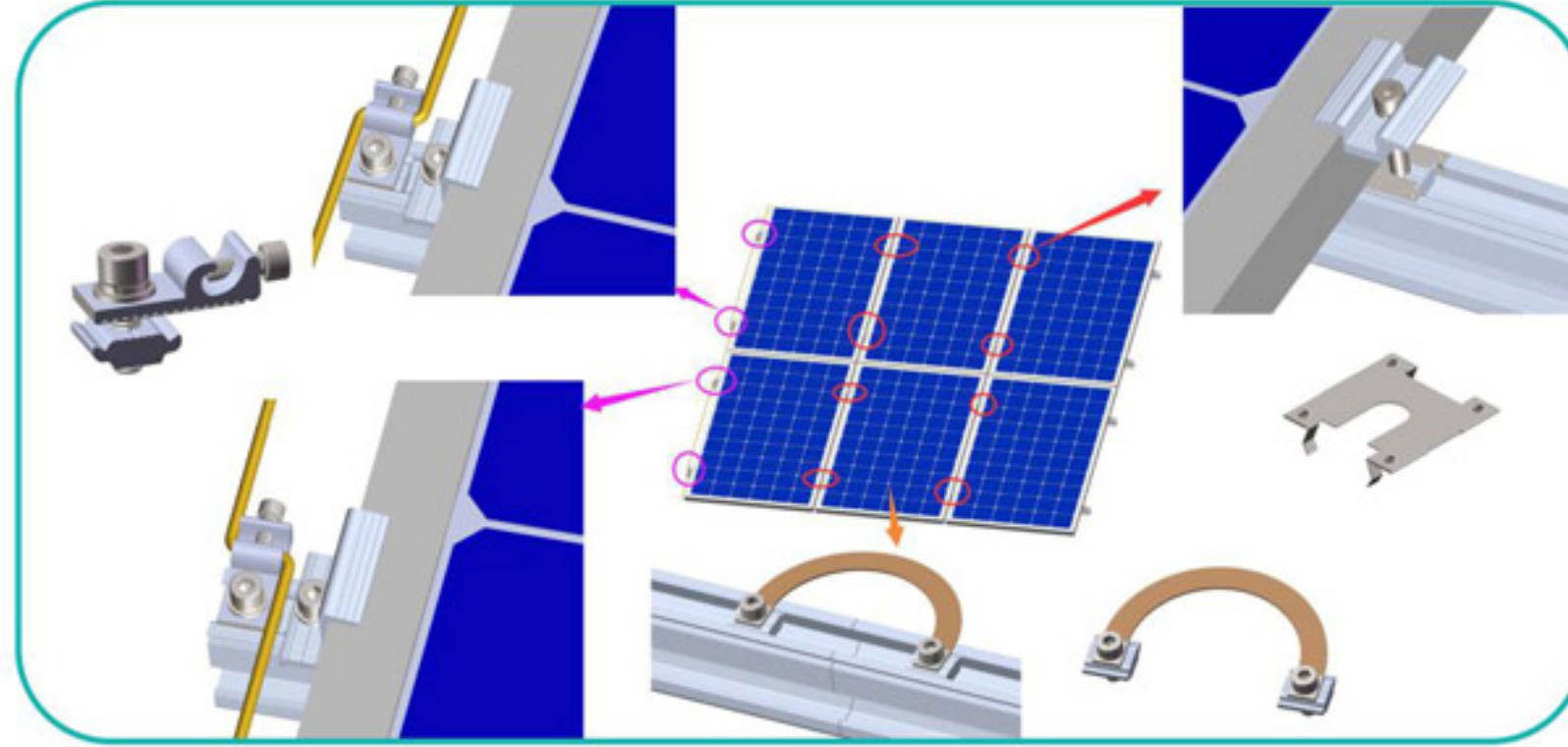


**AS-GMC**  
G rail mid clamp  
40/50mm width  
Material: aluminum 6005-T5  
Application: Framed panel,  
aluminum rail - G nut series



**AS-GEC**  
G rail end clamp  
70mm width  
Material:  
aluminum 6005-T5  
Application: aluminum  
rail-G nut series

### GROUNDING CLIPS



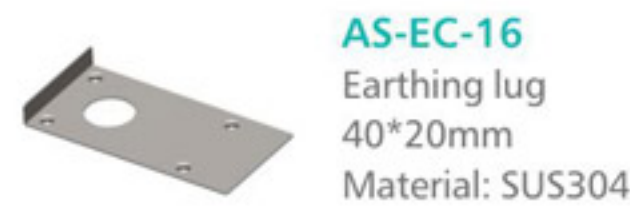
Various earthing clips for option, OEM service.



**AS-EK**  
Earthing kit  
20mm width  
Material: aluminum 6005-T5



**AS-EL**  
Earthing lug  
34\*34mm  
Material: SUS304



**AS-EC-16**  
Earthing lug  
40\*20mm  
Material: SUS304



**AS-BJ**  
Bonder Jumper  
L150\*W15mm  
Material: Cu



**AS-EC-01**  
Earthing clip  
54\*37mm  
Material: SUS304



**AS-EC-02**  
Earthing clip  
30\*20mm  
Material: SUS304



**AS-EC-03**  
Earthing clip  
35\*20mm  
Material: SUS304



**AS-EC-04**  
Earthing clip  
25\*23mm  
Material: SUS304



**AS-EL-01**  
Earthing lug  
50\*30mm  
Material: SUS304



**AS-EL-02**  
Earthing lug  
60\*40mm  
Material: SUS304



**AS-EL-03**  
Earthing lug  
56\*35mm  
Material: SUS304



**AS-EL-04**  
Earthing lug  
55\*40mm  
Material: SUS304



**AS-EL-05**  
Earthing lug  
46\*35mm  
Material: SUS304



**AS-EL-06**  
Earthing lug  
45\*30mm  
Material: SUS304



**AS-EL-07**  
Earthing lug  
35\*45mm  
Material: SUS304



**AS-EL-08**  
Earthing lug  
44\*8.2\*0.3  
Material: SUS304



**AS-EL-09**  
Earthing lug  
65\*30, 40\*5(inter) mm  
Material: SUS304



**AS-EL-10**  
Earthing lug  
65\*30, 5\*25(inter) mm  
Material: SUS304



**AS-EL-11**  
Earthing lug  
50\*40 mm  
Material: SUS304



**AS-EL-12**  
Earthing lug  
50\*25 mm  
Material: SUS304



**AS-EL-13**  
Earthing lug  
30\*30 mm  
Material: SUS304



**AS-EL-14**  
Earthing lug  
55\*40 mm  
Material: SUS304



**AS-EL-15**  
Earthing lug  
50\*30 mm  
Material: SUS304



**AS-GL**  
Ground lug  
31.8\*30 mm  
Material: SUS304

### CABLE CLIP

#### • Fixing PV cable on the panel



**AS-CL**  
Cable clip  
L40\*W19.8\*H56.5mm  
Material: SUS304  
Application:  
install on 1# rail



**AS-CL-01**  
Cable clip  
L18\*W10\*H21mm  
Material: SUS304  
Application:  
install on panels



**AS-CL-02**  
Cable clip  
L10\*W11\*H18mm  
Material: SUS304  
Application:  
install on panels



**AS-CL-03**  
Cable clip  
L18\*W8\*H31mm  
Material: SUS304  
Application:  
install on panels



## COMPONENTS LIST

### ADJUSTABLE TILT KITS



**AS-AFL-01**  
Adjustable front leg  
Base size: L125\*W39mm  
Material: aluminum 6005-T5  
EPDM=1pcs  
Self-tapping screw M6.3\*80mm screw 2pcs  
/ Anchor bolt M12\*100  
Application:concrete roof, tin roof



**AS-AFL-02**  
Adjustable front leg  
Base size: L115\*W39mm  
Material: aluminum 6005-T5  
EPDM=1pcs  
Self-tapping screw M6.3\*80mm screw 2pcs  
/ Anchor bolt M12\*100  
Application:concrete roof, tin roof



**AS-ABL-01**  
Adjustable rear leg  
Tube H:250mm (10-15°),392mm(15-30°),  
680mm(30-60°)  
Material: aluminum 6005-T5  
EPDM=1pcs  
Self-tapping screw M6.3\*80mm screw 2pcs  
/ Anchor bolt M12\*100  
Application:concrete roof, tin roof



**AS-ABL-02**  
Adjustable rear leg  
Tube H:250mm (10-15°),392mm(15-30°),  
680mm(30-60°)  
Material: aluminum 6005-T5  
EPDM=1pcs  
Self-tapping screw M6.3\*80mm screw  
2pcs / Anchor bolt M12\*100  
Application:concrete roof, tin roof



**AS-ABL-01-D**  
Fixed leg  
Customized angle  
Material: aluminum 6005-T5  
EPDM=1pcs  
Self-tapping screw M6.3\*80mm screw 2pcs  
/ Anchor bolt M12\*100  
Application:concrete roof, tin roof



**AS-ABL-02-D**  
Fixed leg  
Customized angle  
Material: aluminum 6005-T5  
EPDM 1pcs  
M6.3\*80mm screw 2pcs /  
Anchor bolt M12\*100  
Application:concrete roof, tin roof

### TRIANGLE KIT AND ACCESSORIES



**AS-ATK-01**  
Adjustable triangle kit  
10-15°, 15-30°, 30-60°  
Material:  
aluminum 6005-T5  
Application: flat roof,  
tin roof



**AS-FTK-01**  
Fixed triangle kit  
Customized angle  
Material:  
aluminum 6005-T5  
Application:  
flat roof, tin roof



**AS-AB-H**  
Angle bar  
W46\*H46\*T6mm  
Material:  
aluminum 6005-T5  
Application:  
flat roof, tin roof



**AS-LC-01**  
40mm L connector  
L40\*W49\*H49\*T5.5mm  
Material: aluminum 6005-T5  
Allen bolt M8\*25 2pcs  
Application: flat roof,  
pole mount

## COMPONENTS LIST



**AS-AB-B**  
Angle bar  
W42\*H42\*T2.6mm  
Material:  
aluminum 6005-T5  
Application:  
flat roof, tin roof



**AS-ATK-01**  
C profile triangle kit  
15°,20°,25°,30°,35°  
Material:  
aluminum 6005-T5  
Application:  
flat roof, tin roof



**AS-FTK-02**  
Fixed triangle kit  
Customized angle  
Material:  
aluminum 6005-T5  
Application:  
flat roof, tin roof



**AS-TBR-H**  
Tripod-Base Rail  
W68\*H35.9mm  
Material:  
aluminum 6005-T5  
Application: flat roof



**AS-ATR-H**  
Tripod-Top Rail  
W50\*H36.5mm  
Material:  
aluminum 6005-T5  
Application: flat roof



**AS-TB**  
Tripod-Bracing  
W19\*H28mm  
Material:  
aluminum 6005-T5  
Application: flat roof



**AS-ABR-B**  
Tripod-Base Rail  
W68\*H35.9mm  
Material:  
aluminum 6005-T5  
Application: flat roof



**AS-ATR-B**  
Tripod-Top Rail  
W50\*H36.5mm  
Application: flat roof  
Material:  
aluminum 6005-T5



**AS-THC-01**  
Tripod-Base Rail  
L50\*W28\*H71mm  
Material:  
aluminum 6005-T5  
Allen bolt M8\*40 2pcs,  
Application: flat roof



**AS-THC-02**  
Tripod-H Connector  
L100\*W28\*H71mm  
Material: aluminum 6005-T5  
Allen bolt M8\*40 2pcs,  
M8\*80 2pcs  
Application: flat roof



**AS-R07-TC**  
Tripod Clamp  
L40\*W45\*H31.8mm  
Material: aluminum 6005-T5  
Application: flat roof



**AS-LC-01-D**  
40mm L connector  
L40\*W49\*H49\*T5.5mm  
Material: aluminum 6005-T5  
Allen bolt M8\*25 2pcs  
Application: flat roof,

### Aluminum profile and accessories

#### • Aluminum profile - D nut series



**AS-DR-01A**  
D rail 01A#  
W32.30\*H59.45mm  
Material:  
aluminum 6005-T5



**AS-DR-01B**  
D rail 01B#  
W32.10\*H53.75mm  
Material:  
aluminum 6005-T5



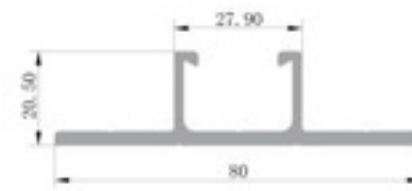
**AS-DR-03**  
D rail 03#  
W31.70\*H46.70mm  
Material:  
aluminum 6005-T5



**AS-DRS-01**  
1# D rail splice  
L150\*W23.6\*H8mm  
Material:  
aluminum 6005-T5  
Allen bolt M8\*20mm 2pcs  
Application: AS-DR-01A/01B/03#



**AS-DRS-02**  
2# D rail splice  
L150\*W17.9\*H30mm  
Material:  
aluminum 6005-T5  
Rivet 1pcs  
Application: AS-DR-01A/01B



**AS-DR-07**  
Mini rail  
L400\*W80\*H20mm  
Material: aluminum 6005-T5

#### • Aluminum profile - E nut series



**AS-R-01H**  
Rail 1#  
W32.10\*H57.30mm  
Material:  
aluminum 6005-T5



**AS-R-01B**  
Rail 1#  
W32.10\*H57.30mm  
Material:  
aluminum 6005-T5



**AS-RS-01**  
E rail splice  
L=200mm  
Material: aluminum 6005-T5  
Allen bolt M8\*35mm 2pcs  
Application: AS-R-01



**AS-RS-02**  
E rail splice  
L150\*W21\*H10mm  
Material: aluminum 6005-T5  
Allen screw M8\*25 2pcs  
Application: Aluminum rail -  
e module series

#### • Aluminum rail - G nut series



**AS-GR-01**  
G rail 01#  
W39.10\*H39.10mm  
Material:  
aluminum 6005-T5



**AS-R-09H**  
Rail 9#  
W30.68\*H46.10mm  
Material:  
aluminum 6005-T5



**AS-R-09B**  
Rail 9B#  
W30.68\*H46.10mm  
Material:  
aluminum 6005-T5



**AS-RS-09**  
Rail 9# splice  
L150\*W9\*H42.4mm  
Material:  
aluminum 6005-T5  
Socket set screw:  
M8\*10mm 2pcs  
Application: AS-R-09



**AS-R-15**  
Mini rail  
L130\*W39.00\*H20.00mm, customized length  
Material: aluminum 6005-T5  
130mm rubber pad  
Self-tapping screw M6.3\*25, 2pcs

#### • Aluminum profile - n module series



**AS-R-07B**  
Rail 7#  
W32.30\*H38.00mm  
Material:  
aluminum 6005-T5



**AS-R-07H**  
Rail 7#  
W32.30\*H38.00mm  
Material:  
aluminum 6005-T5



**AS-RS-07**  
Rail 7# splice  
L150\*W20.3\*H21.7mm  
Material:  
aluminum 6005-T5  
Rivet 1pcs  
Application: AS-R-07



**AS-CR-01**  
C rail 01#  
W31\*H50mm  
Material:  
aluminum 6005-T5



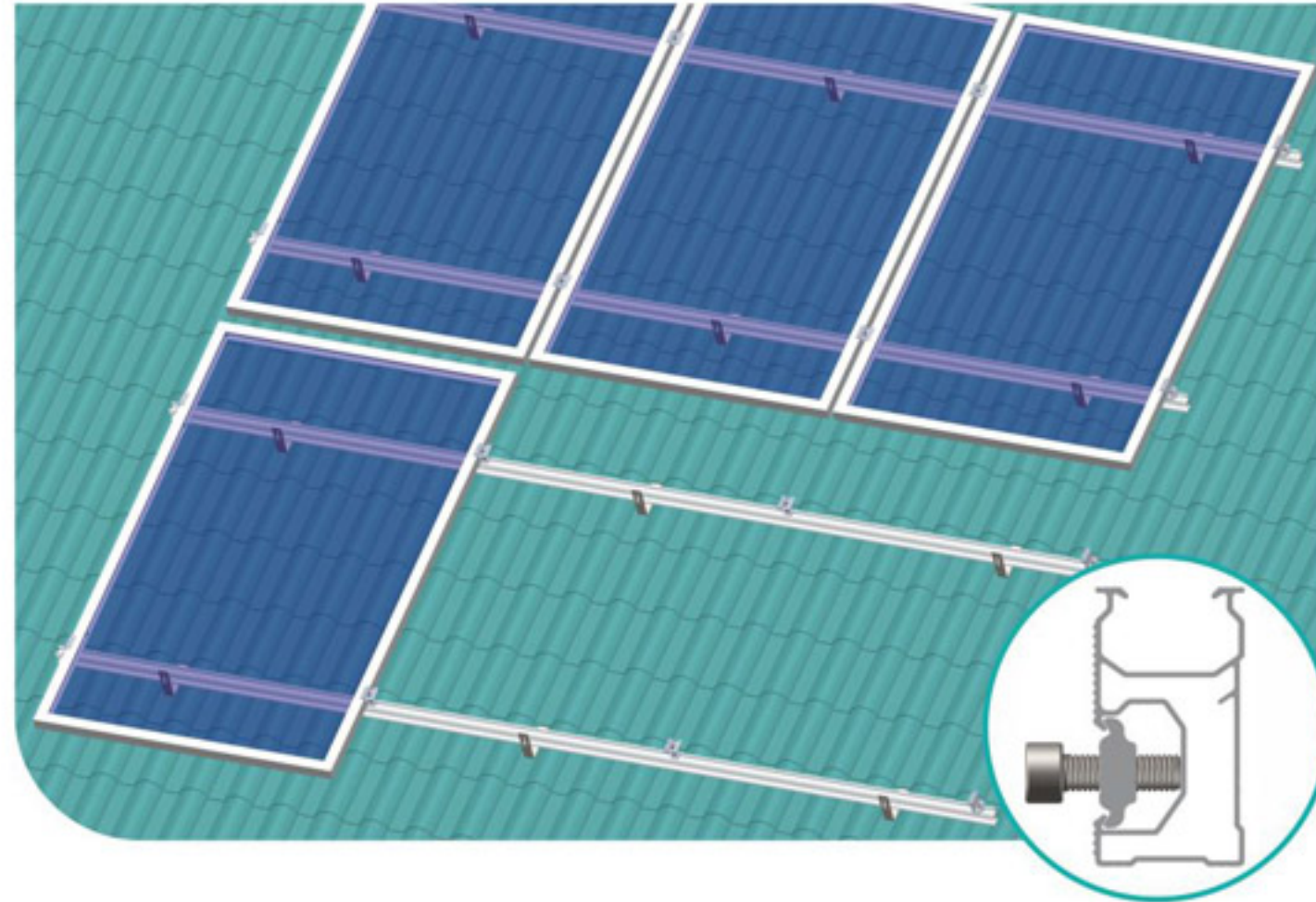
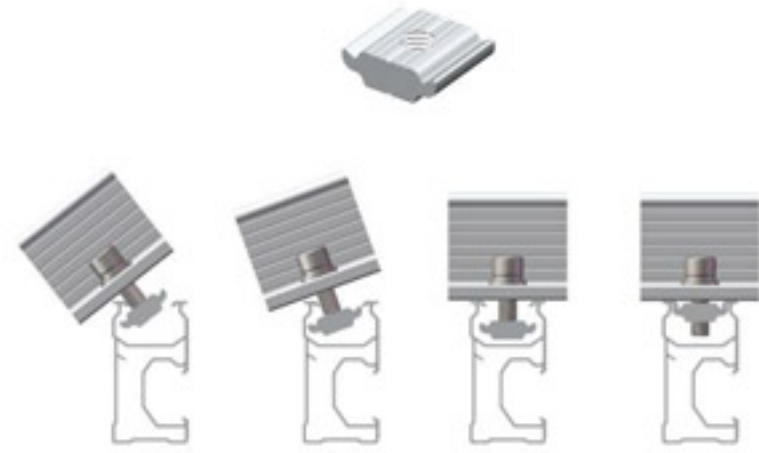
**AS-CRS-01**  
C rail 01# splice  
L=150mm  
Material:  
aluminum 6005-T5  
Rivet 1pcs  
Application: aluminum  
rail-G nut series



**AS-R-15**  
Mini rail  
L130\*W39.00\*H20.00mm,  
customized length  
Material:  
aluminum 6005-T5  
130mm  
rubber pad  
Self-tapping screw  
M6.3\*25, 2pcs

### • Design Features

D nut design: faster installation which saves your labor cost.  
 Rails are pre-cut in customized length, clamps and hooks are pre-assembled.



### • Surface treatment:

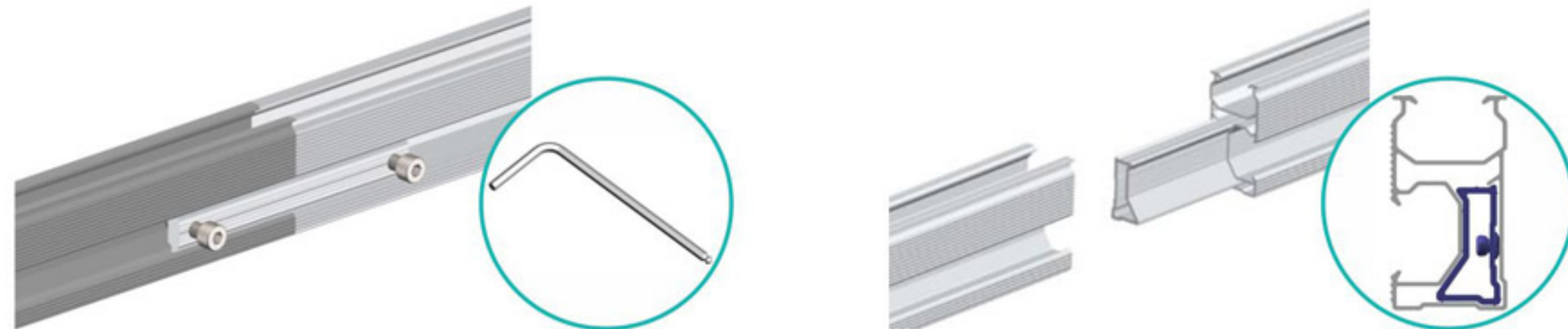
10µm thk. Anodized aluminum, stainless steel 304 bolts and nuts.

### • Design Strength:

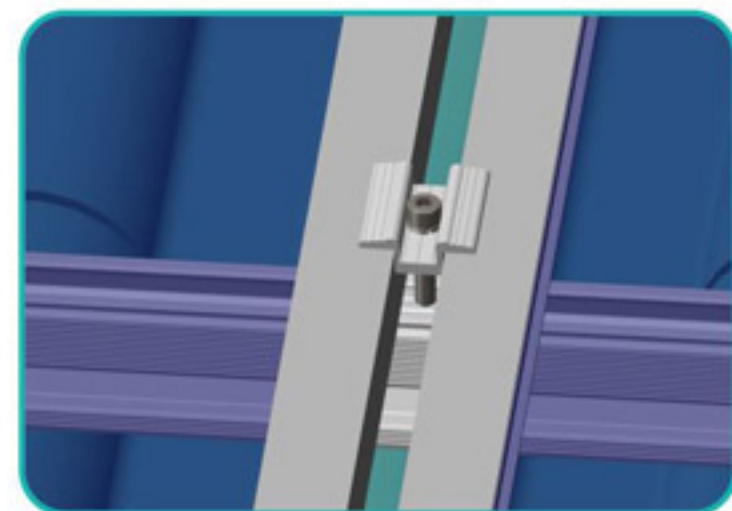
D series rail: different rail design suited for different range of wind load and snow load.

### • Certification:

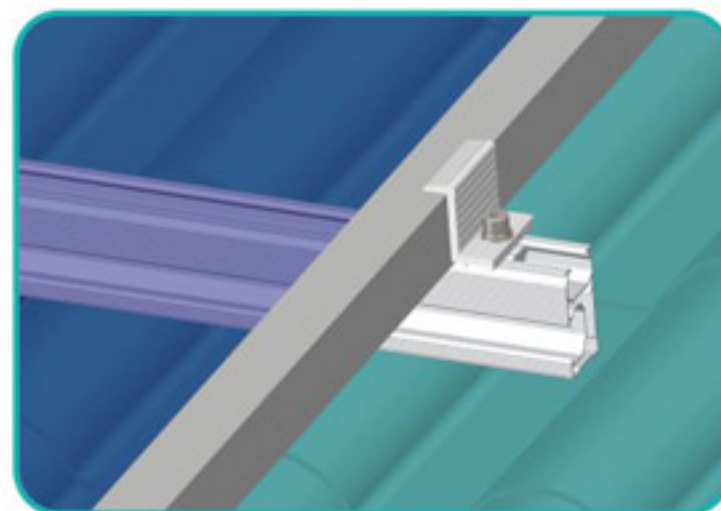
Australia AS/NZS 1170.2-Wind load report; SGS report-Chemical&Physical test.



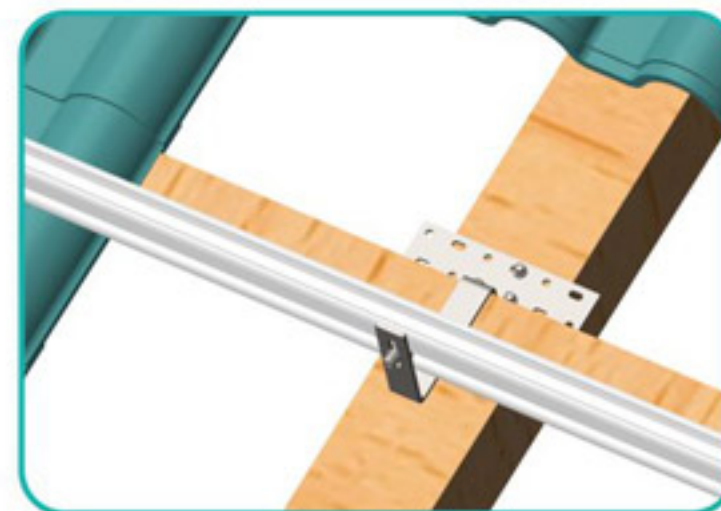
Rail splice: 2 kinds of rail splice for option



middle clamp



end clamp



roof hook

### • Aluminum rail - D nut series(T bolt series is alternative)



**AS-DR-01A**  
 D Rail 01A#  
 W32.30\*H59.45mm  
 Material: Aluminum 6005-T5



**AS-DR-01B**  
 D Rail 01B#  
 W32.10\*H53.75mm  
 Material: Aluminum 6005-T5



**AS-DR-03**  
 D Rail 03#  
 W31.70\*H46.70mm  
 Material: Aluminum 6005-T5

### • Rail splice



**AS-DRS-01**  
 1# D Rail splice  
 L150\*W23.6\*H8mm  
 Material: Aluminum 6005-T5  
 Allen bolt M8\*20mm 2pcs  
 Application: AS-DR-01A/01B/03#



**AS-DRS-02**  
 2# D Rail splice  
 L150\*W17.9\*H30mm  
 Material: Aluminum 6005-T5  
 Rivet 1pcs  
 Application: AS-DR-01A/01B

### • Components



**AS-DMC**  
 D rail mid clamp  
 40/50mm width  
 Material: aluminum 6005-T5  
 Application: Framed panel, aluminum rail - D nut series



**AS-DEC**  
 D rail end clamp  
 40/50mm width  
 Material: aluminum 6005-T5  
 Application: Framed panel, aluminum rail - D nut series



**AS-DTFMC**  
 D rail thin film mid clamp  
 80mm width  
 Material: aluminum 6005-T5  
 Application: frameless panel, aluminum rail - D nut series



**AS-DTFEC**  
 D rail thin film end clamp  
 80mm width  
 Material: aluminum 6005-T5  
 Application: frameless panel, aluminum rail - D nut series



**AS-RH-01**  
 1#SUS 304 roof hook  
 Material:SUS304  
 See component list for more hooks

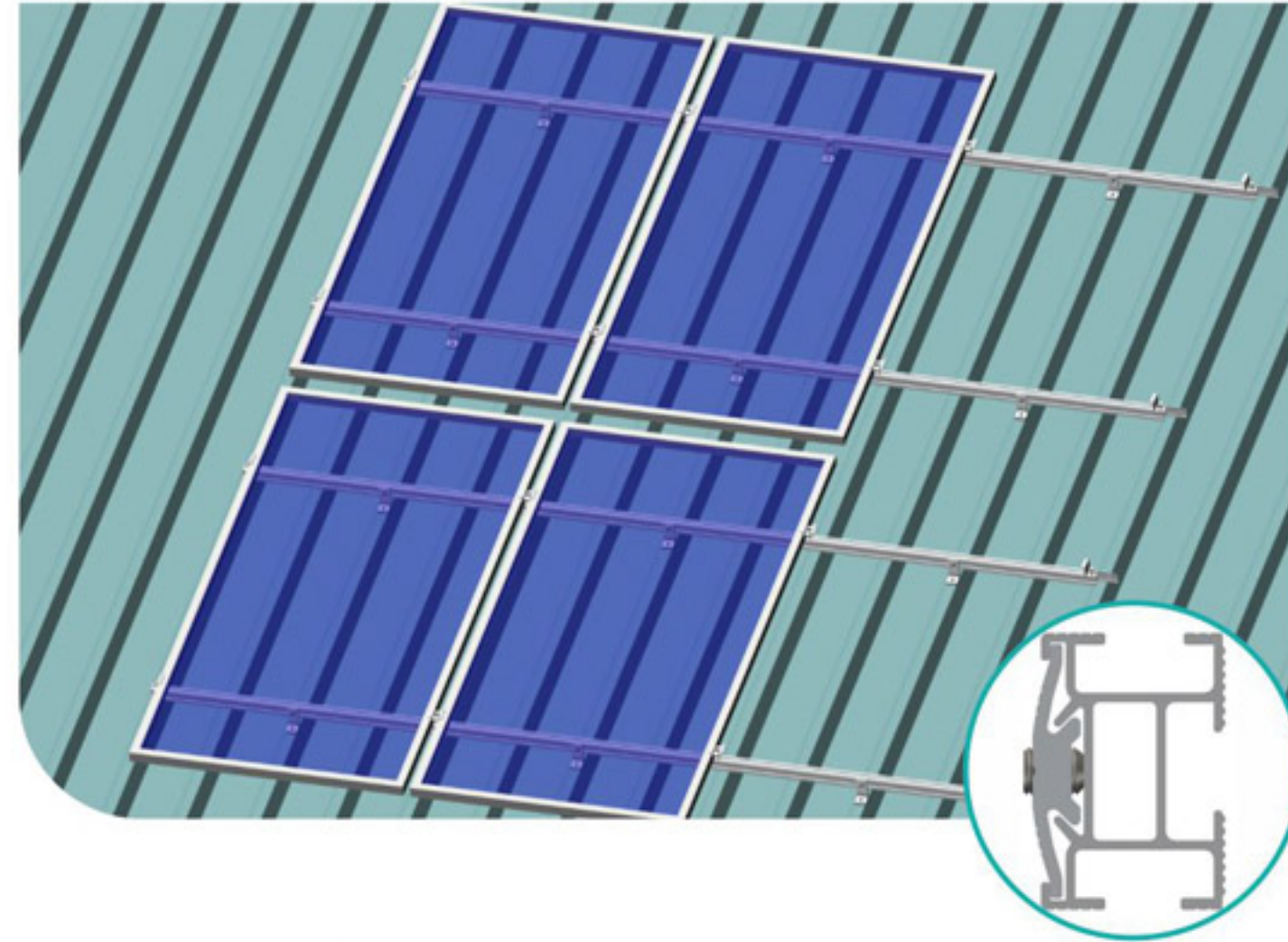
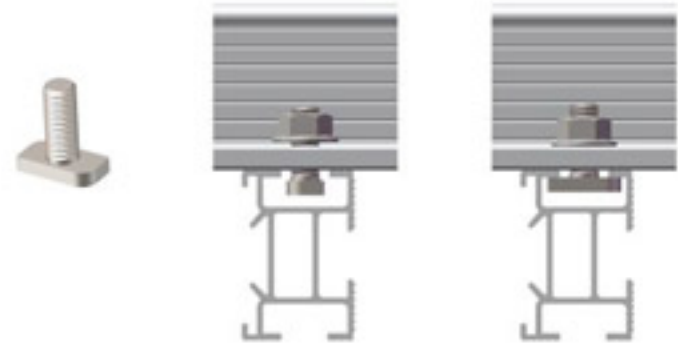
See components list for more stainless steel roof hook (Page 4-5)

### Design Features

T bolt installation: much easier, faster, more convenient.

Suitable for corrugated roof, trapezoid roof.

Rails are pre-cut in customized length, clamps and hooks are pre-assembled.



### Surface treatment:

10µm thk. Anodized aluminum, stainless steel 304 bolts and nuts.

### Design Strength:

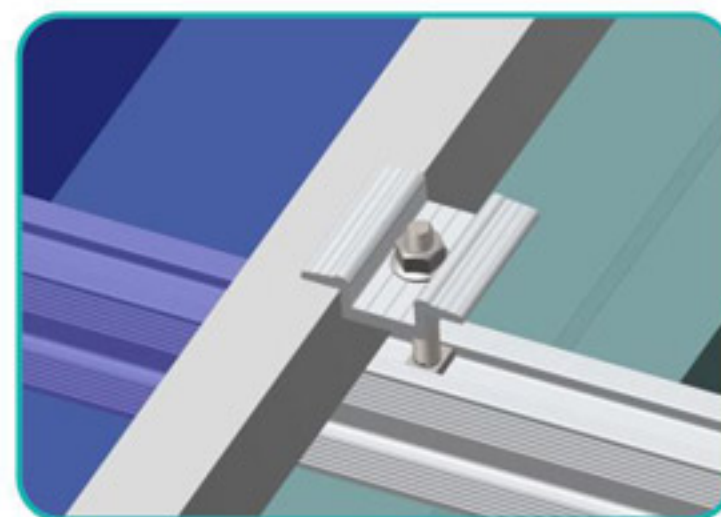
Suited for different range of wind load and snow load.

### Certification:

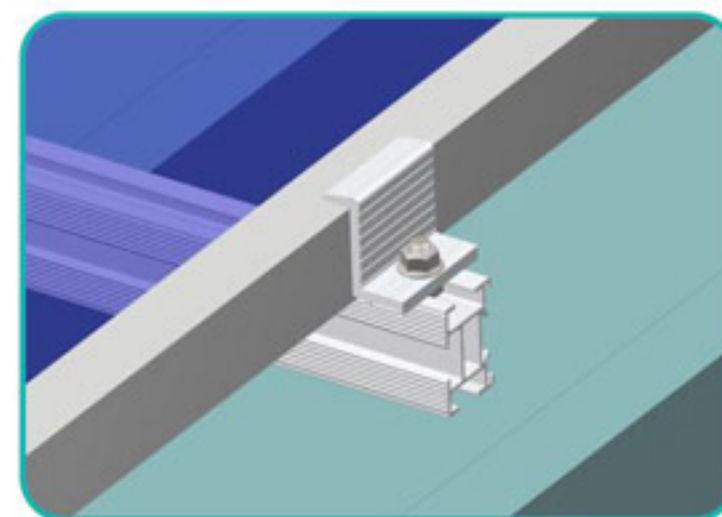
Australia AS/NZS 1170.2-Wind load report; SGS report-Chemical&Physical test.



rail splice



middle clamp



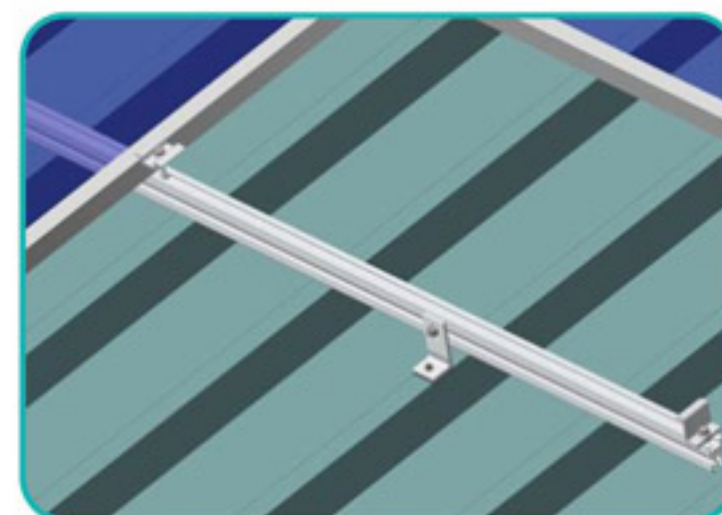
end clamp



40mm L feet



50mm L feet with hanger bolt

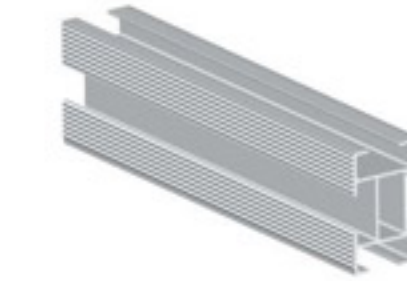


### Aluminum rail - T bolt series (D nut series is alternative)



#### AS-R-09H

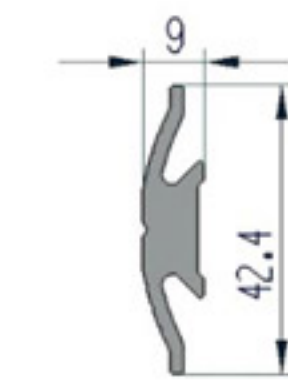
Rail 9H#  
W30.68\*H46.10mm  
Material: aluminum 6005-T5



#### AS-R-09B

Rail 9B#  
W30.68\*H46.10mm  
Material: aluminum 6005-T5

### Rail splice



#### AS-RS-09

Rail 9# splice  
L150\*W9\*H42.4mm  
Material:  
aluminum 6005-T5  
Socket set screw:  
M8\*10mm 2pcs  
Application: AS-R-09



### Components



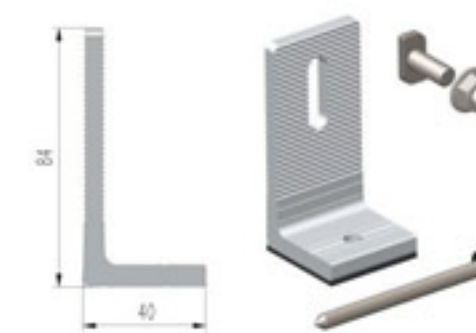
#### AS-STMC

T bolt mid clamp  
40/50mm width  
Material: aluminum 6005-T5  
Self-tapping screw M6.3\*80  
Application: Framed panel,  
aluminum rail - T bolt series



#### AS-STEC

T bolt end clamp  
40/50mm width  
Material: aluminum 6005-T5  
Application: Framed panel,  
aluminum rail - T bolt series



#### AS-RH-02

Roof hook 2#  
40mm width  
Material: aluminum 6005-T5  
Self-tapping screw M6.3\*80  
Application: metal / tin roof



#### AS-RH-02W

Roof hook 2W#  
50mm width  
Hanger bolt: M10\*200  
Application: metal / tin roof



#### AS-RH-105

Roof hook 105#  
40/50/60mm width  
Material: aluminum 6005-T5  
Self-tapping screw M6.3\*80  
Application: metal / tin roof



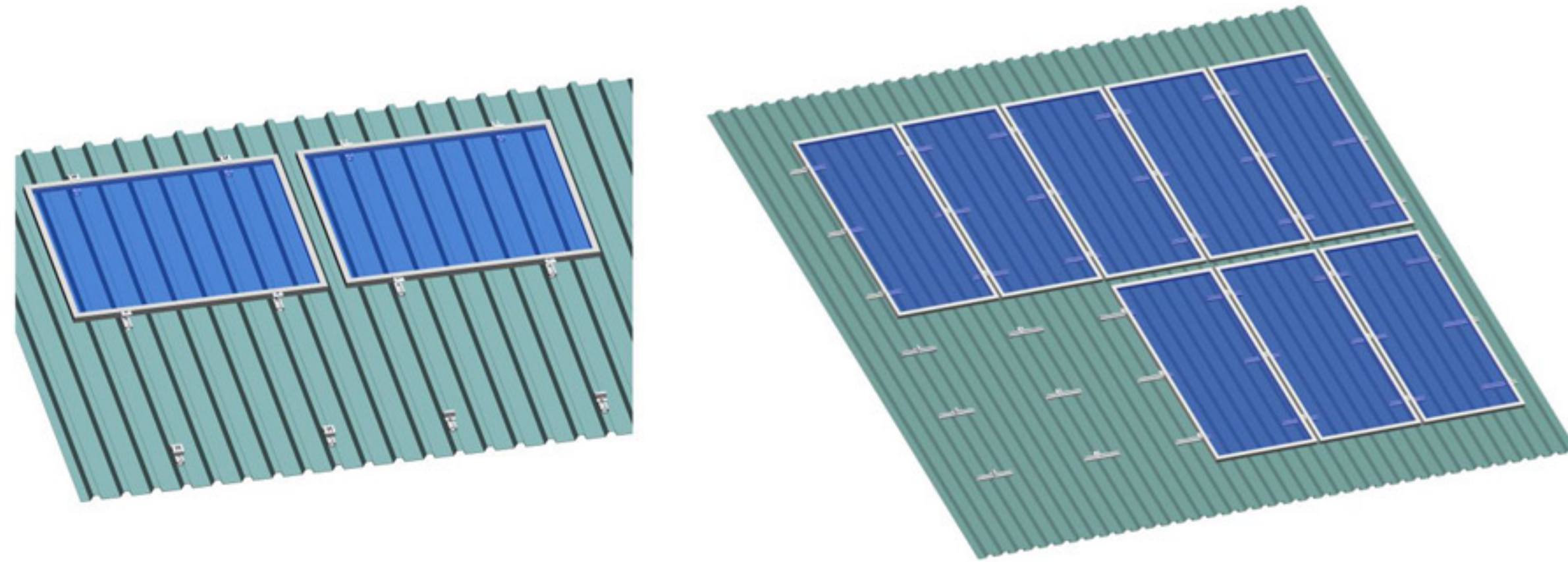
#### AS-RH-125

Roof hook 125#  
40/50/60mm width  
Material: aluminum 6005-T5  
Self-tapping screw M6.3\*80  
Application: metal / tin roof



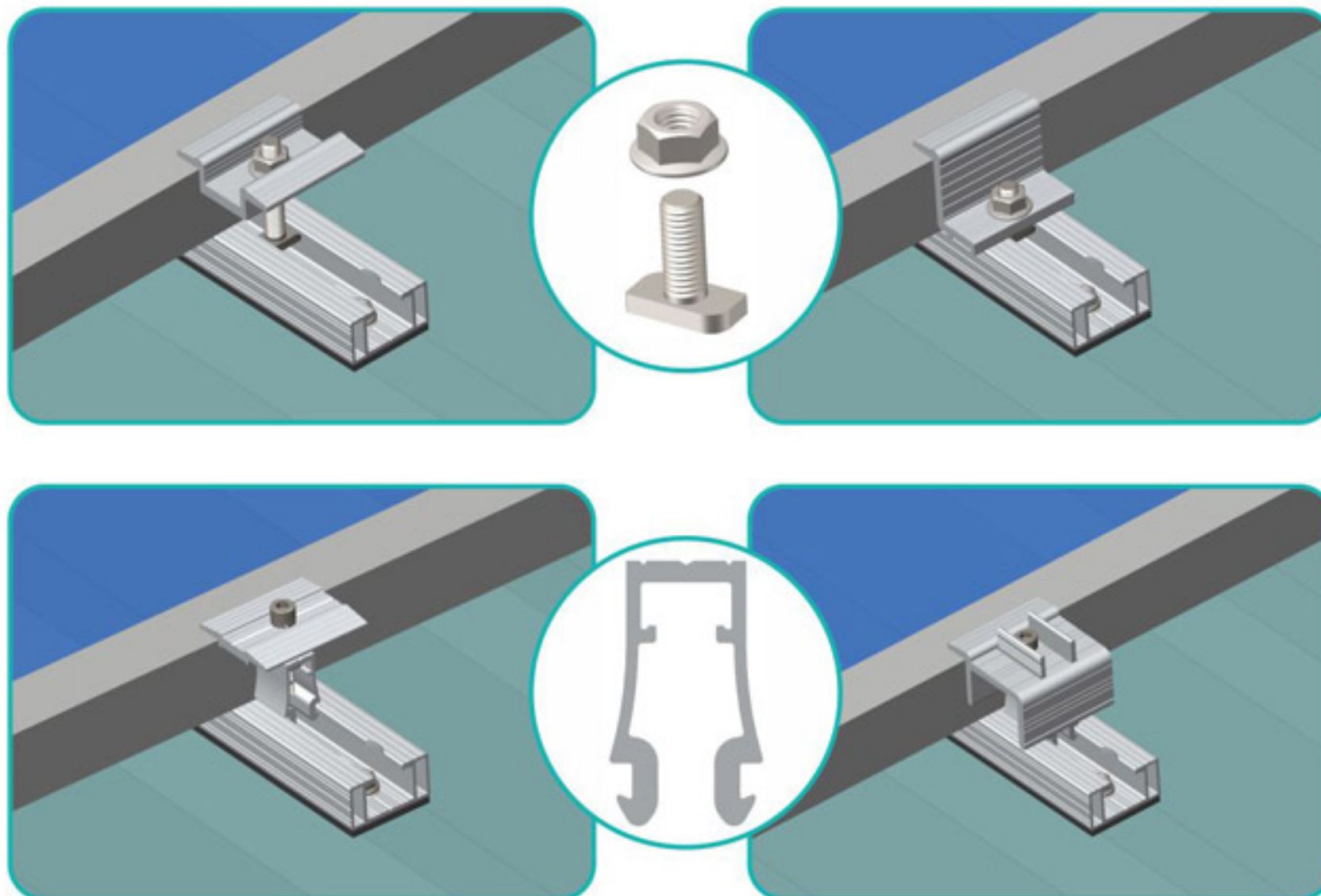
#### AS-RH-150


Roof hook 150#  
40/50/60mm width  
Material: aluminum 6005-T5  
Self-tapping screw M6.3\*80  
Application: metal / tin roof



- Design Features:**  
 Solar Panels are fixed directly on mini rails or fixed directly by aluminum roof bracket without any long rail.  
 It is easy for transportation and installation. Rails are pre-cut in customized length, clamps are pre-assembled.
- Surface treatment:**  
 10µm thk. Anodized aluminum, stainless steel 304 bolts and nuts.
- Design Strength:**  
 Suited for normal wind load.

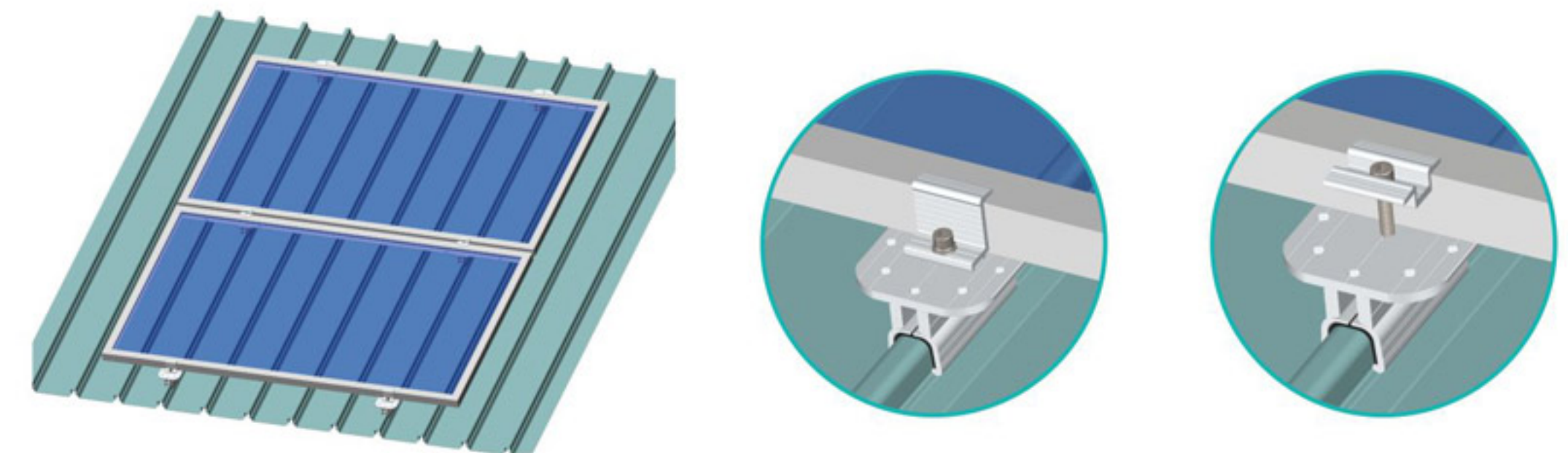
Mini rail is suitable for T bolt and n module installation





 <p><b>AS-R-15</b> Mini rail L130*W39*H20mm customized length Material: aluminum 6005-T5 130mm rubber pad Self-tapping screw M6.3*25, 2pcs</p>		 <p><b>AS-DR-07</b> Mini rail L400*W80*H20mm Material: aluminum 6005-T5</p>
 <p><b>AS-AEC</b> Adjustable end clamp 50mm width Material: aluminum 6005-T5 Application: Frame panel thickness 30-50mm</p>	 <p><b>AS-AMC</b> Adjustable mid clamp 50mm width Material: aluminum 6005-T5 Application: Frame panel thickness 30-50mm</p>	 <p><b>AS-DMC</b> D rail mid clamp 40/50mm width Material: aluminum 6005-T5 Application: Framed panel, aluminum rail - D nut series</p>
 <p><b>AS-STMC</b> T bolt mid clamp 40/50mm width Material: aluminum 6005-T5 Application: Framed panel, aluminum rail - T bolt series</p>	 <p><b>AS-STEC</b> T bolt end clamp 40/50mm width Material: aluminum 6005-T5 Application: Framed panel, aluminum rail - T bolt series</p>	 <p><b>AS-DEC</b> D rail end clamp 40/50mm width Material: aluminum 6005-T5 Application: Framed panel, aluminum rail - D nut series</p>

• Aluminum roof bracket

Without rail, solution non-penetrating the roof, all clamps will be pre-assembled.



 <p><b>AS-ARH-08A</b> Roof hook 8# L100*W100*56.6mm Material: aluminum 6005-T5 Application: metal / tin roof, roof rib:18mm</p>		 <p><b>AS-ARH-08B</b> Roof hook 8# L100*W100*56.6mm Material: aluminum 6005-T5 Application: metal / tin roof, roof rib:26mm</p>
--	--	--

See components list for more aluminum roof brackets

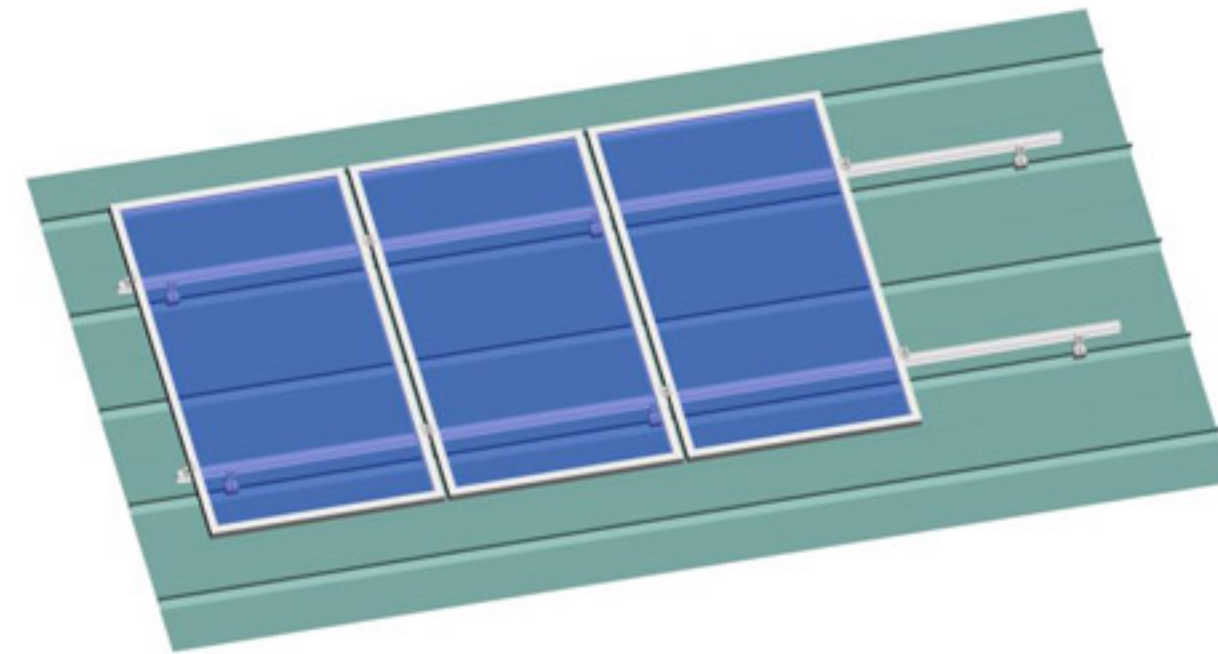
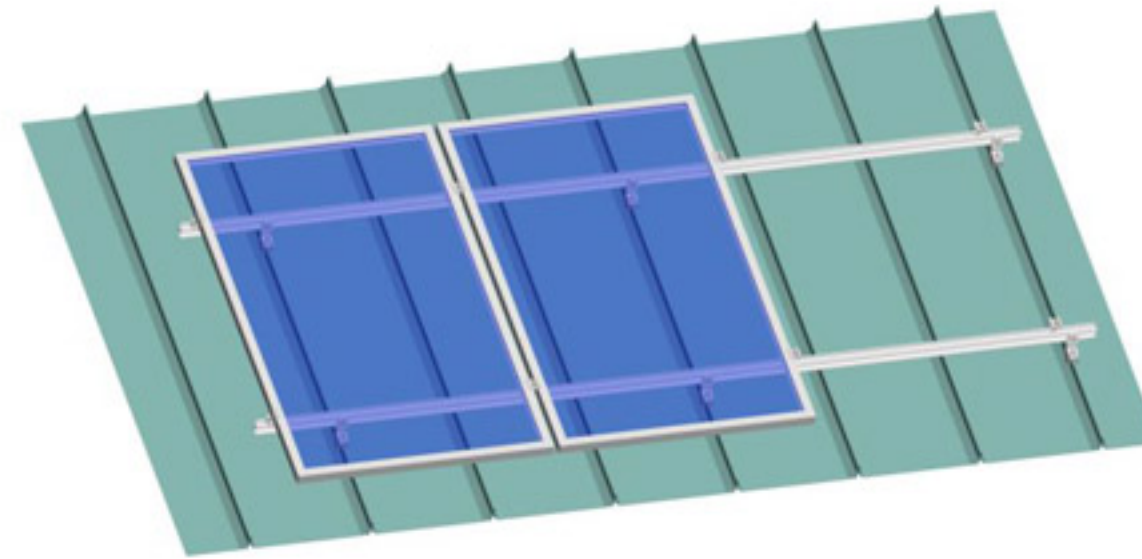
## SLOPING ROOF-STANDING SEAM ROOF CLIP ( N SERIES ROOF CLIP)

### • Design Features:

Non-penetrating the roof  
Various N clip which is fit for different roof shape.

The panel can be installed landscape or portrait alternatively.

Panel can be installed on the rail or without rail (on the roof clip directly).

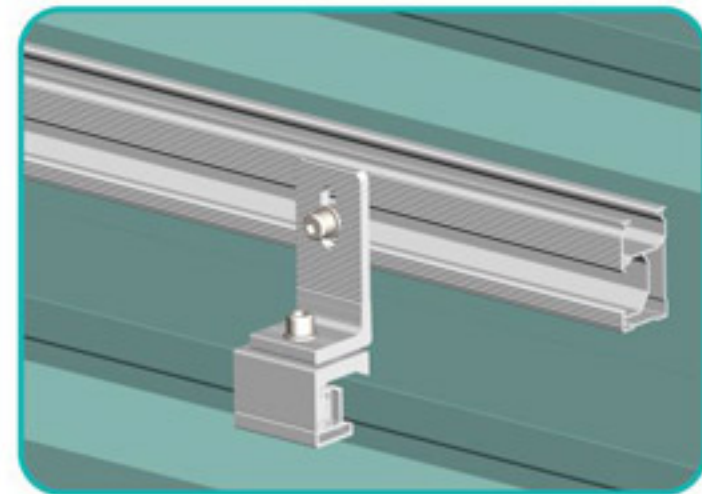


### • Surface treatment:

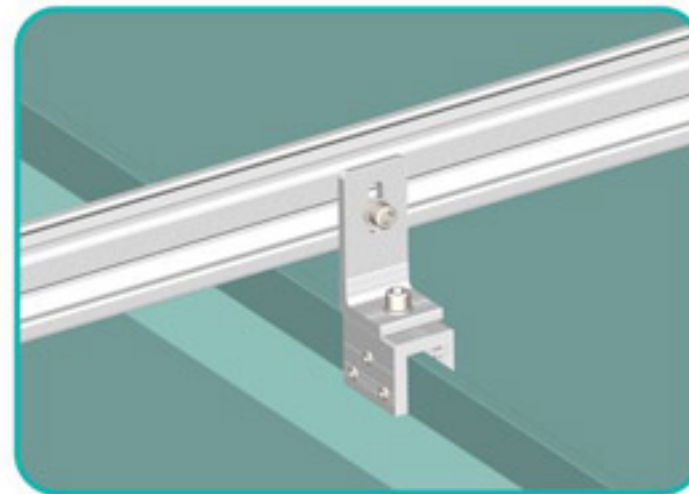
10µm thk. Anodized aluminum, stainless steel 304 bolts and nuts.

### • Design Strength:

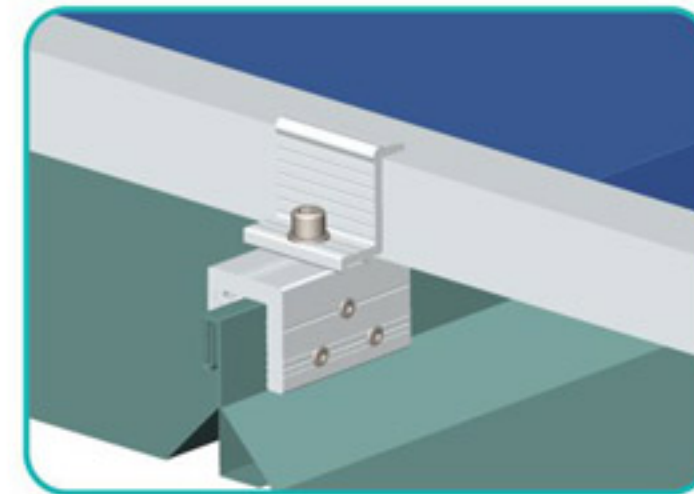
Suited for different range of wind load and snow load.



panel fixed on the rail,  
rail is parallel to the roof rib.



panel fixed on the rail, rail is  
perpendicular to the roof rib.



panel fixed on the  
roof clip without rail



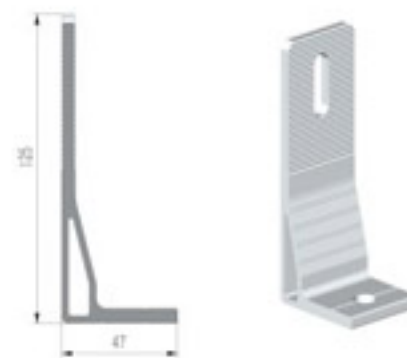
### AS-RH-02

Roof hook 2#  
40/50 width  
Material: aluminum 6005-T5  
Application: metal / tin roof



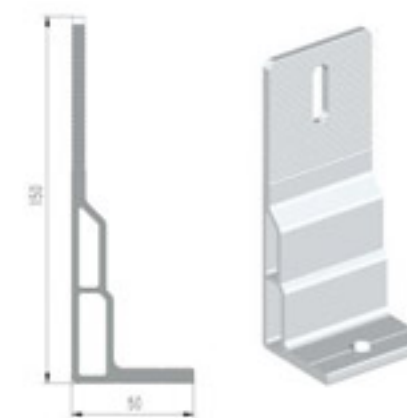
### AS-RH-105

Roof hook 105#  
40/50/60mm width  
Material: aluminum 6005-T5  
Application: metal / tin roof



### AS-RH-125

Roof hook 125#  
40/50/60mm width  
Material: aluminum 6005-T5  
Application: metal / tin roof



### AS-RH-150

Roof hook 150#  
40/50/60mm width  
Material: aluminum 6005-T5  
Application: metal / tin roof

## MAIN COMPONENTS

### • Aluminum rail - D nut series(T bolt series is alternative)



### AS-DR-01A

D Rail 01A#  
W32.30\*H59.45mm  
Material: Aluminum  
6005-T5



### AS-DR-01B

D Rail 01B#  
W32.10\*H53.75mm  
Material: Aluminum  
6005-T5



### AS-DR-03

D Rail 03#  
W31.70\*H46.70mm  
Material: Aluminum  
6005-T5

### • Rail splice



### AS-DRS-01

1# D Rail splice  
L150\*W23.6\*H8mm  
Material: Aluminum 6005-T5  
Allen bolt M8\*20mm 2pcs  
Application: AS-DR-01A/01B/03#



### AS-DRS-02

2# D Rail splice  
L150\*W17.9\*H30mm  
Material: Aluminum 6005-T5  
Rivet 1pcs  
Application: AS-DR-01A/01B

### • Components



### AS-DMC

D rail mid clamp  
40/50mm width  
Material:  
aluminum 6005-T5  
Application: Framed panel,  
aluminum rail - D nut series



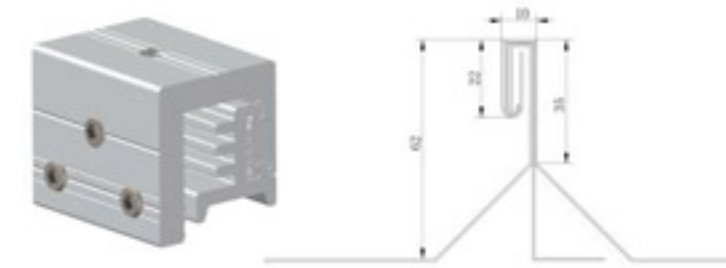
### AS-DEC

D rail end clamp  
40/50mm width  
Material:  
aluminum 6005-T5  
Application: Framed panel,  
aluminum rail - D nut series



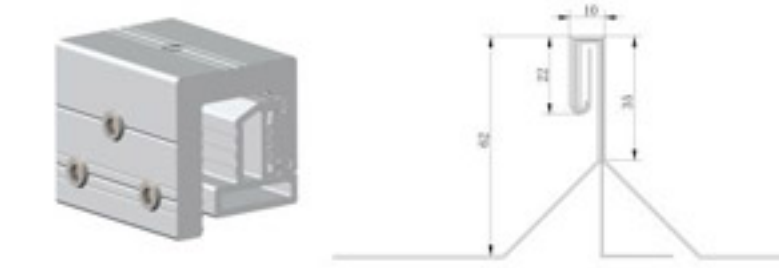
### AS-N50-01A

N Roof hook 01A#  
L50\*W37\*H42mm  
Material: aluminum 6005-T5  
Application: metal / tin roof



### AS-N50-02E

N Roof hook 02E#  
L50\*W38\*H42mm  
Material: aluminum 6005-T5  
Application: metal / tin roof



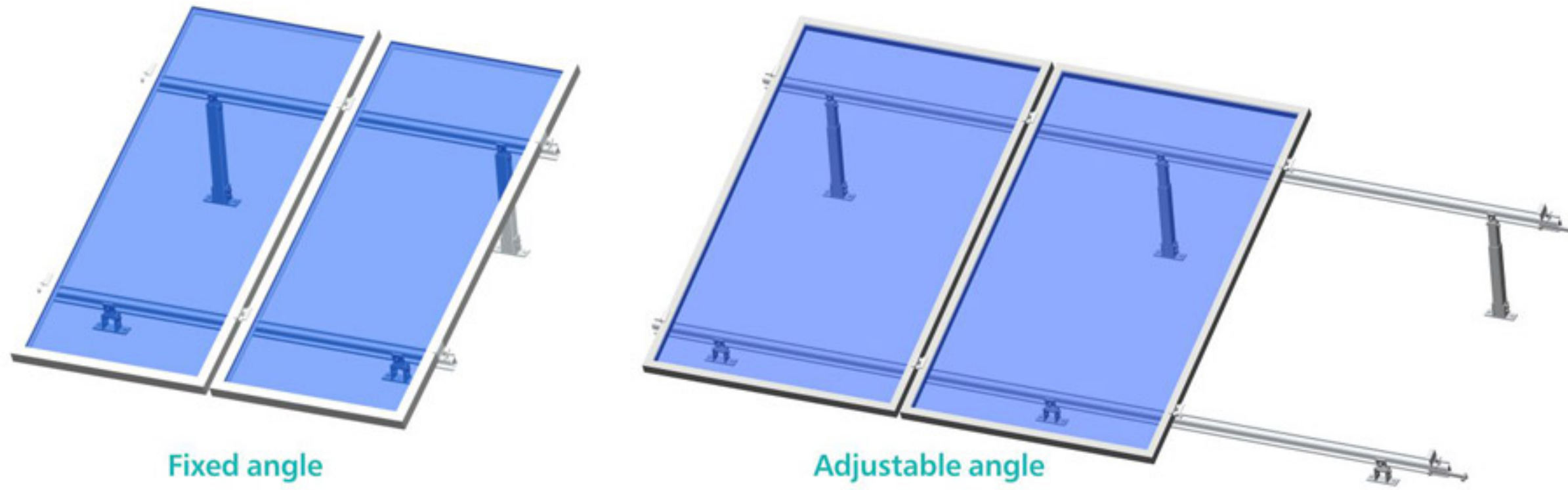
### AS-N50-02F

N Roof hook 02F#  
L50\*W38\*H42mm  
Material: aluminum 6005-T5  
Application: metal / tin roof



### AS-N50-03

N Roof hook 03#  
L50\*W38\*H42mm  
Material: aluminum 6005-T5  
Application: metal / tin roof



Fixed angle

Adjustable angle



Anchor bolt for fixing the mounting on the concrete roof.  
Spec. for anchor bolt:  
M12\*100, M10\*90, M6\*50



Self-tapping screw for fixing the mounting on the metal roof.

### • Design Features

- ① Suited for concrete flat roof and metal roof.
- ② Adjustable type structure which has 3 angle range for options: 10-15°, 15-30°, 30-60°.
- ③ All the components will be pre-assembled.

### • Surface treatment:

10µm thk. Anodized aluminum, stainless steel 304 bolts and nuts

### • Design Strength:

2 kinds of design to meet the different wind load and snow load requirements.

### • Certification:

Australia AS/NZS 1170.2-Wind load report; SGS report-Chemical&Physical test.

Type A



Type B



### • Aluminum rail - D nut series



AS-DR-01A

D Rail 01A#  
W32.30\*H59.45mm  
Material: Aluminum  
6005-T5

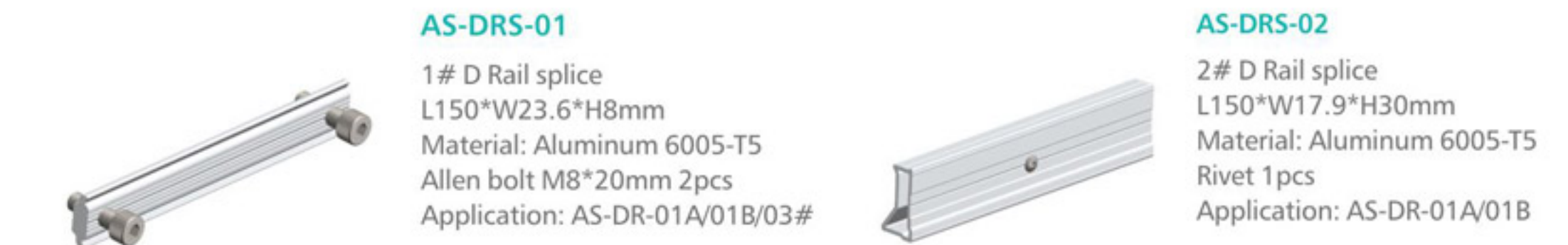
AS-DR-01B

D Rail 01B#  
W32.10\*H53.75mm  
Material: Aluminum  
6005-T5

AS-DR-03

D Rail 03#  
W31.70\*H46.70mm  
Material: Aluminum  
6005-T5

### • Rail splice



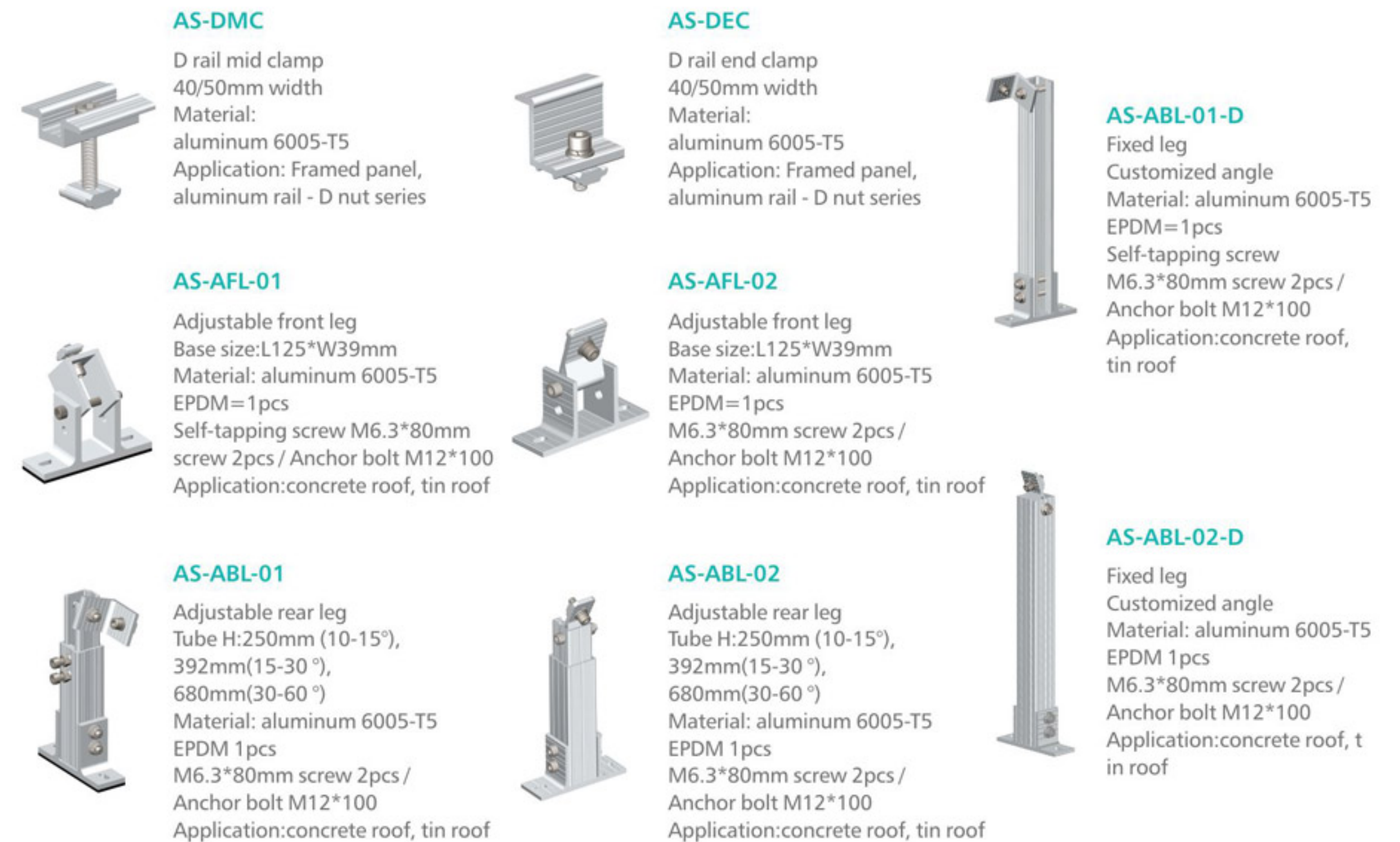
AS-DRS-01

1# D Rail splice  
L150\*W23.6\*H8mm  
Material: Aluminum 6005-T5  
Allen bolt M8\*20mm 2pcs  
Application: AS-DR-01A/01B/03#

AS-DRS-02

2# D Rail splice  
L150\*W17.9\*H30mm  
Material: Aluminum 6005-T5  
Rivet 1pcs  
Application: AS-DR-01A/01B

### • Components



AS-DMC

D rail mid clamp  
40/50mm width  
Material:  
aluminum 6005-T5  
Application: Framed panel,  
aluminum rail - D nut series

AS-DEC

D rail end clamp  
40/50mm width  
Material:  
aluminum 6005-T5  
Application: Framed panel,  
aluminum rail - D nut series

AS-ABL-01-D

Fixed leg  
Customized angle  
Material: aluminum 6005-T5  
EPDM=1pcs  
Self-tapping screw  
M6.3\*80mm screw 2pcs /  
Anchor bolt M12\*100  
Application:concrete roof,  
tin roof

AS-AFL-01

Adjustable front leg  
Base size:L125\*W39mm  
Material: aluminum 6005-T5  
EPDM=1pcs  
Self-tapping screw M6.3\*80mm  
screw 2pcs / Anchor bolt M12\*100  
Application:concrete roof, tin roof

AS-AFL-02

Adjustable front leg  
Base size:L125\*W39mm  
Material: aluminum 6005-T5  
EPDM=1pcs  
M6.3\*80mm screw 2pcs /  
Anchor bolt M12\*100  
Application:concrete roof, tin roof

AS-ABL-01

Adjustable rear leg  
Tube H:250mm (10-15°),  
392mm(15-30°),  
680mm(30-60°)  
Material: aluminum 6005-T5  
EPDM 1pcs  
M6.3\*80mm screw 2pcs /  
Anchor bolt M12\*100  
Application:concrete roof, tin roof

AS-ABL-02

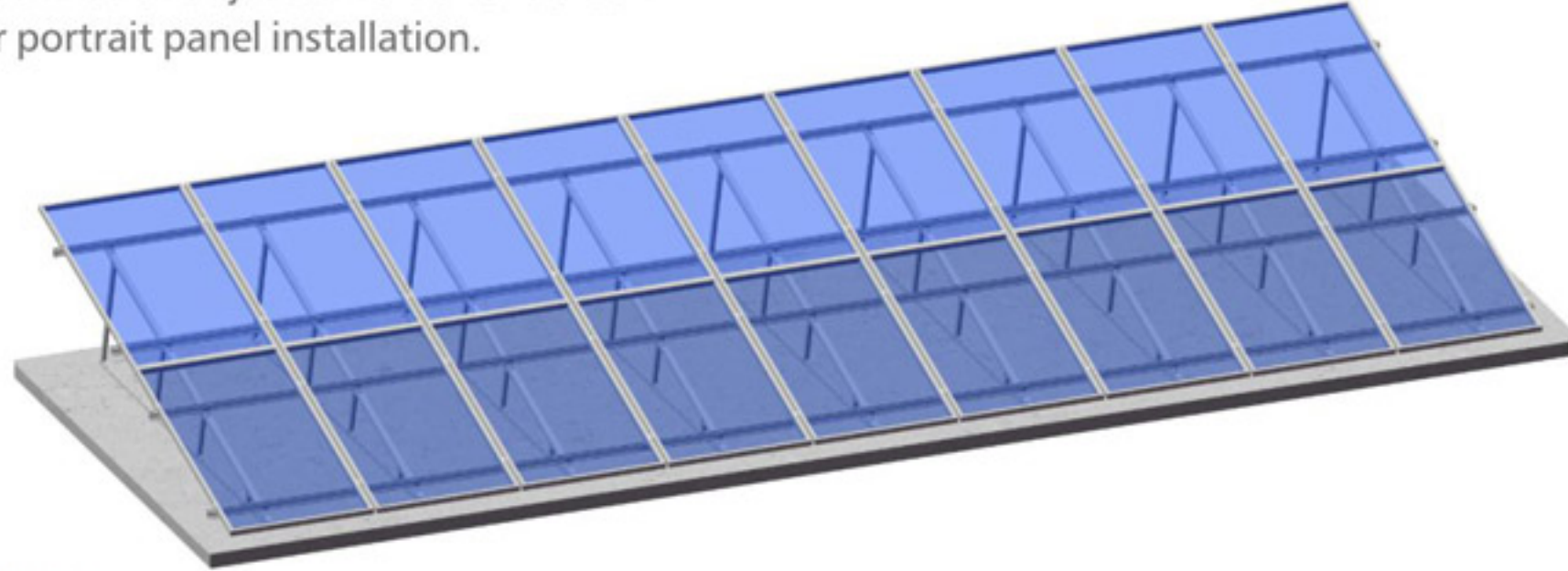
Adjustable rear leg  
Tube H:250mm (10-15°),  
392mm(15-30°),  
680mm(30-60°)  
Material: aluminum 6005-T5  
EPDM 1pcs  
M6.3\*80mm screw 2pcs /  
Anchor bolt M12\*100  
Application:concrete roof, tin roof

AS-ABL-02-D

Fixed leg  
Customized angle  
Material: aluminum 6005-T5  
EPDM 1pcs  
M6.3\*80mm screw 2pcs /  
Anchor bolt M12\*100  
Application:concrete roof, t  
in roof

### • Design Features

- ① Pre-assembled angle bar triangle kit is convenient to install.
- ② Angle can be fixed or adjusted 10-30° or 30-60°.
- ③ Suitable for portrait panel installation.



### • Surface treatment:

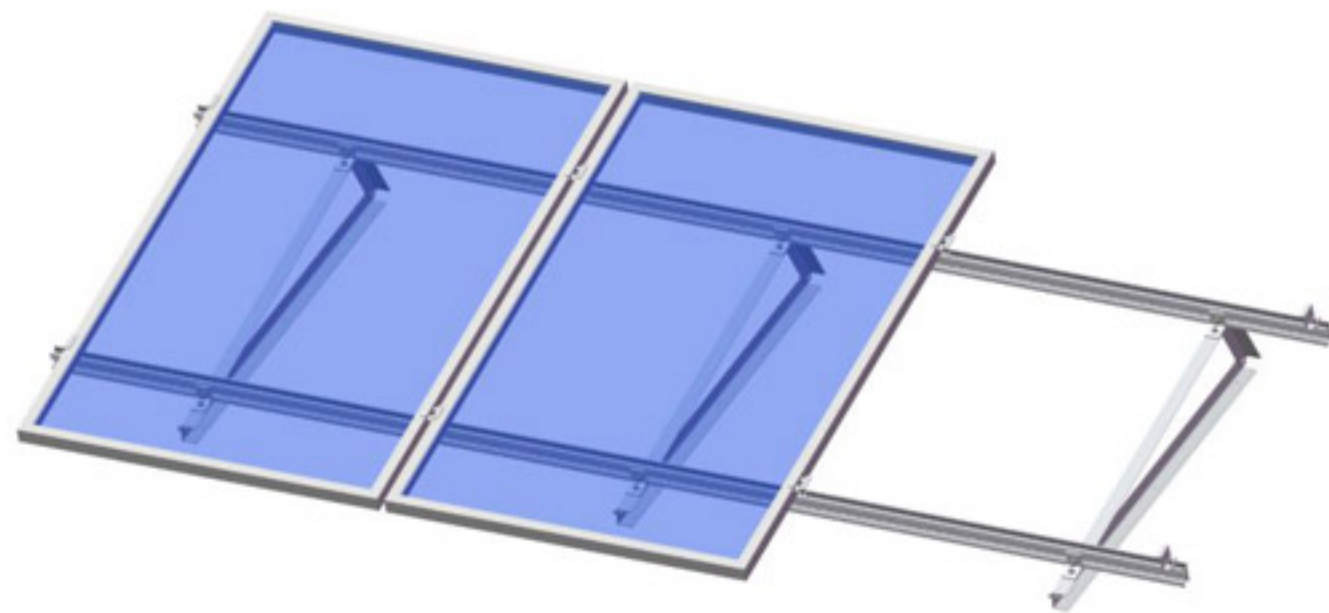
10µm thk. Anodized aluminum, stainless steel 304 bolts and nuts.

### • Design Strength:

Suited for different range of wind load and snow load.

### • Certification:

Australia AS/NZS 1170.2-Wind load report; SGS report-Chemical&Physical test.



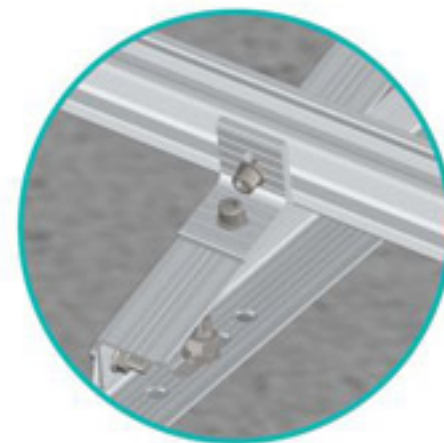
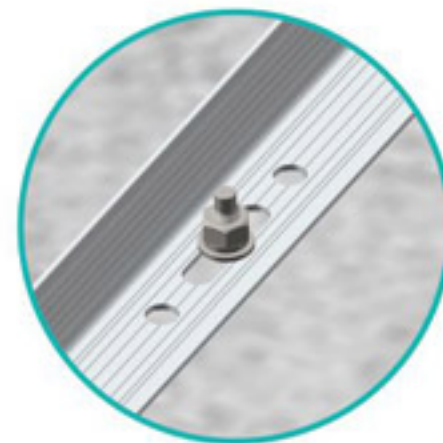
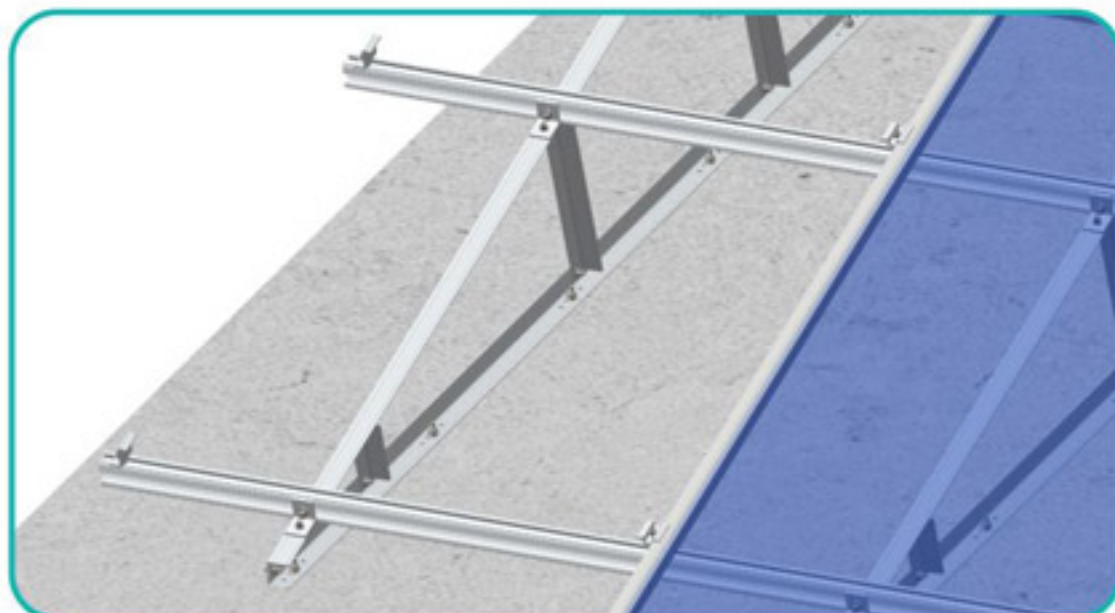
1 portrait panel design



Adjustable 10-30°, 30-60° for option.



Fixed degree.



- ① Triangle kit assembled by allen bolts.
- ② Rail fixed on triangle kit by 40mm L connector.

### • Aluminum rail - D nut series(T bolt series is alternative)



**AS-DR-01A**  
D Rail 01A#  
W32.30\*H59.45mm  
Material: Aluminum 6005-T5



**AS-DR-01B**  
D Rail 01B#  
W32.10\*H53.75mm  
Material: Aluminum 6005-T5



**AS-DR-03**  
D Rail 03#  
W31.70\*H46.70mm  
Material: Aluminum 6005-T5

### • Rail splice



**AS-DRS-01**  
1# D Rail splice  
L150\*W23.6\*H8mm  
Material: Aluminum 6005-T5  
Allen bolt M8\*20mm 2pcs  
Application: AS-DR-01A/01B/03#



**AS-DRS-02**  
2# D Rail splice  
L150\*W17.9\*H30mm  
Material: Aluminum 6005-T5  
Rivet 1pcs  
Application: AS-DR-01A/01B

### • Components



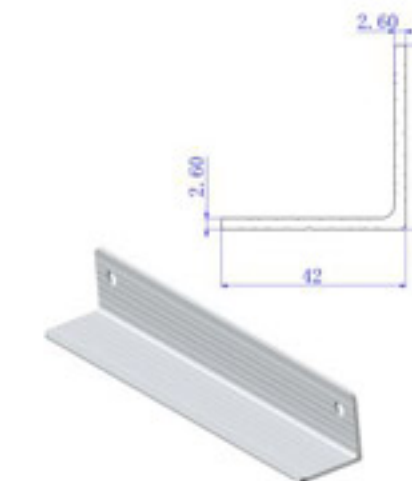
**AS-DMC**  
D rail mid clamp  
40/50mm width  
Material: aluminum 6005-T5  
Application: Framed panel, aluminum rail - D nut series



**AS-DEC**  
D rail end clamp  
40/50mm width  
Material: aluminum 6005-T5  
Application: Framed panel, aluminum rail - D nut series

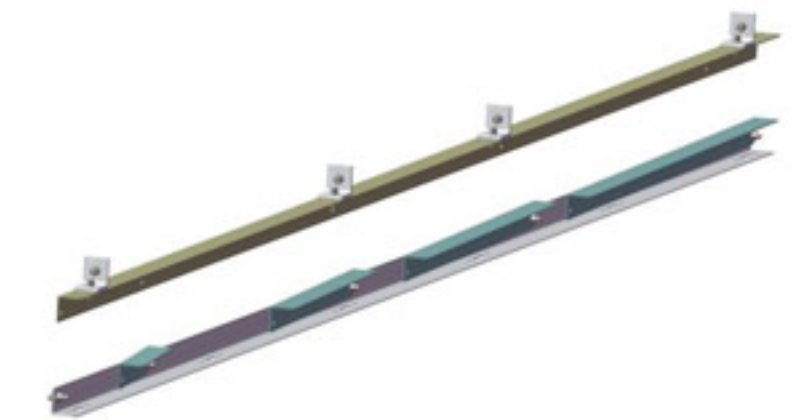


**AS-LC-01-D**  
40mm L connector  
Material: aluminum 6005-T5  
Allen bolt M8\*25 2pcs  
Application: flat roof



**AS-AB-B**  
Angle bar  
W42\*H42\*T2.6mm  
Material: aluminum 6005-T5  
Application: flat roof, tin roof

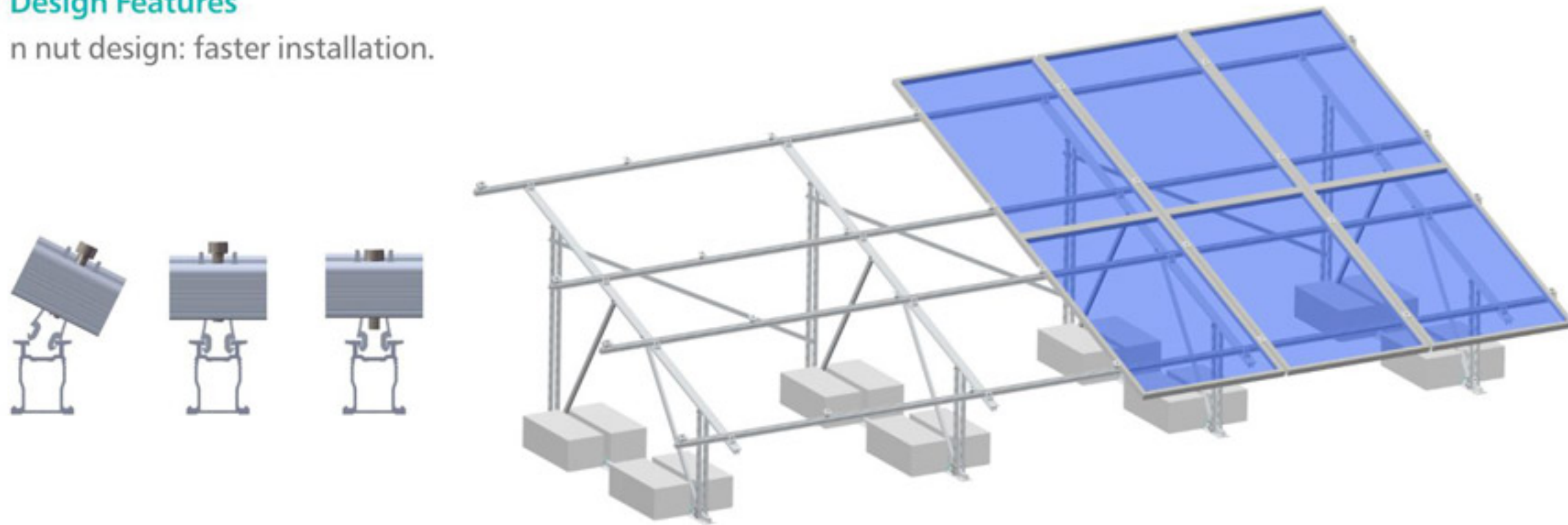
### Pre-assembled structure





### • Design Features

n nut design: faster installation.



### • Surface treatment:

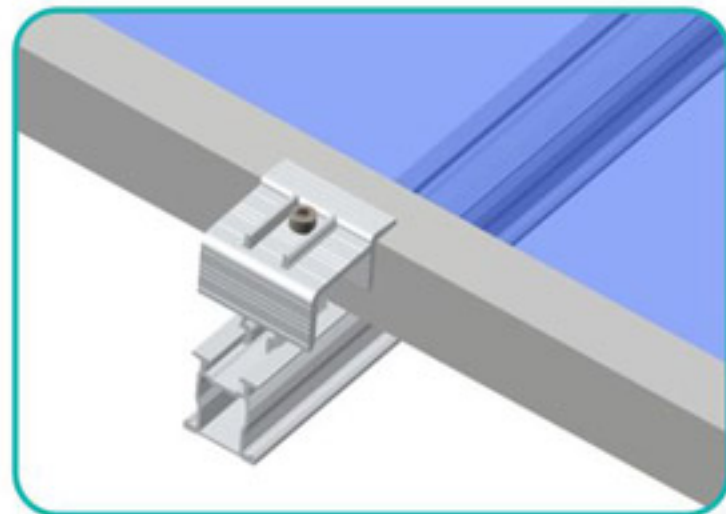
10µm thk. Anodized aluminum, stainless steel 304 bolts and nuts.

### • Design Strength:

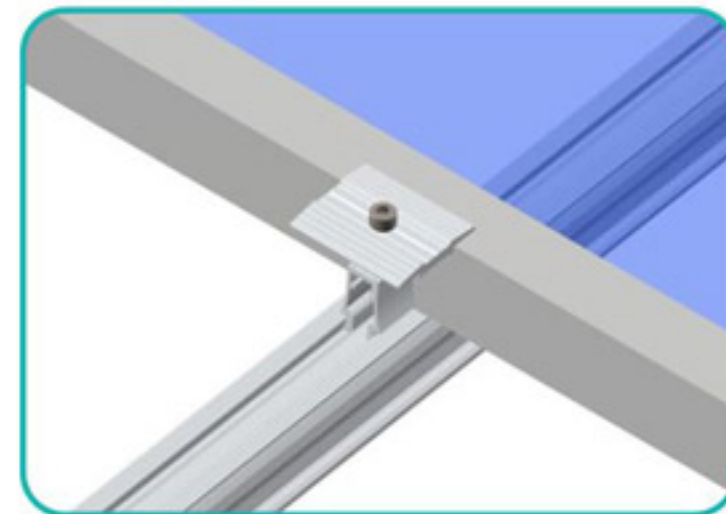
Elevated front feet is most suited for snow region..

### • Certification:

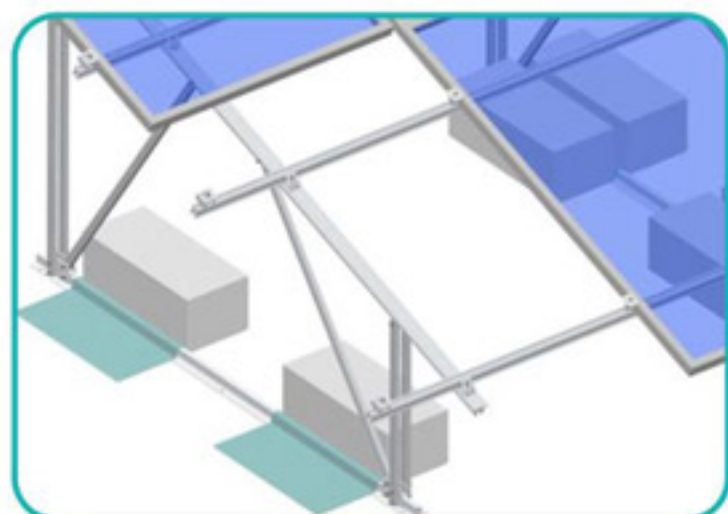
Australia AS/NZS 1170.2-Wind load report; SGS report-Chemical&Physical test.



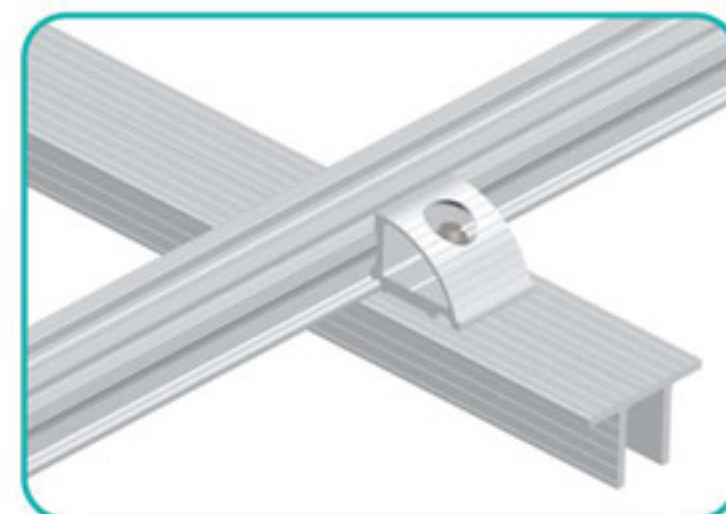
Adjustable end clamp:  
for 30-50mm panel thickness



Adjustable mid clamp:  
for 30-50mm panel thickness



fixed into concrete block or  
non-penetrating with  
ballasted bracket



Rail&beam connector



Rail splice

### • Aluminum rail - n nut series



**AS-R-07H**  
Rail 7H#  
W32.30\*H38.00mm  
Material: aluminum 6005-T5



**AS-R-07B**  
Rail 7B#  
W32.30\*H38.00mm  
Material: aluminum 6005-T5

### • Rail splice



**AS-RS-07**  
7# Rail splice  
L150\*W20.3\*H21.7mm  
Material: aluminum 6005-T5  
Rivet 1pcs

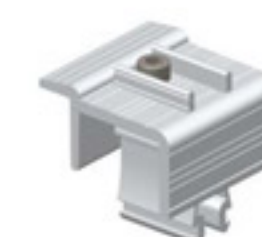
### • Components



**AS-R07-TC**  
Tripod Clamp  
L40\*W45\*H31.8mm  
Material:  
aluminum 6005-T5



**AS-AMC**  
Adjustable mid clamp  
50mm width  
Material:  
aluminum 6005-T5  
Application: Framed panel  
thickness 30-50mm,  
aluminum rail - n module series



**AS-AEC**  
Adjustable end clamp  
50mm width  
Material:  
aluminum 6005-T5  
Application: Framed panel  
thickness 30-50mm,  
aluminum rail - n module series



**AS-TB**  
Tripod-Bracing  
W19\*H28mm  
Material: aluminum 6005-T5



**AS-THC-02**  
Tripod-H Connector  
L100\*W28\*H71mm  
Material: aluminum 6005-T5  
Allen bolt M8\*40 2pcs, M8\*80 2pcs  
Application: flat roof



Pre-assemble Triop structure



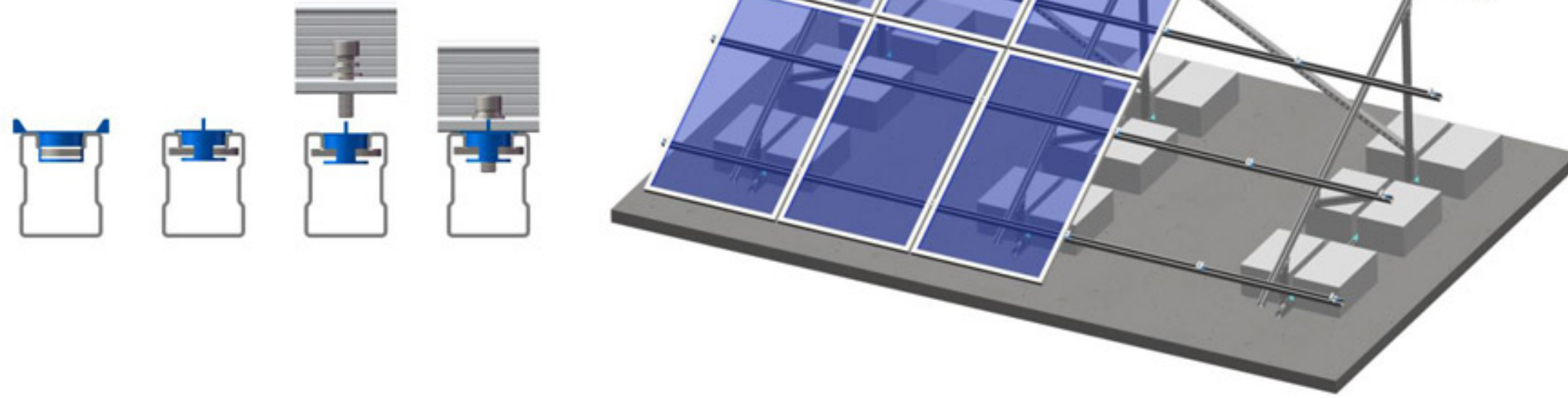
**AS-TTR-H / AS-TTR-B**  
Tripod-Top Rail  
W50\*H36.5mm  
Material: aluminum 6005-T5  
Application: flat roof



**AS-TBR-H / AS-TBR-B**  
Tripod-Base Rail  
W68\*H35.9mm  
Material: aluminum 6005-T5  
Application: flat roof

### • Design Features

Non-penetrating the roof.  
Pre-assembled structure will make the installation easier and more flexible.



### • Surface treatment:

80µm thk. Hot dipped galvanizing steel, 10µm thk. Anodized aluminum.

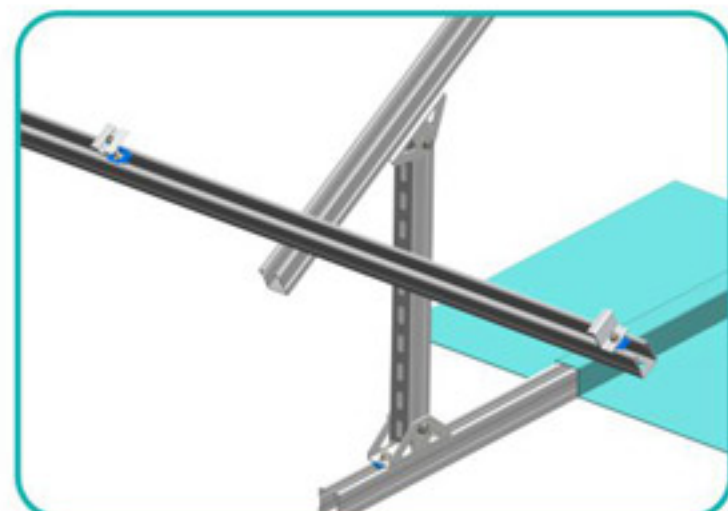
### • Design Strength:

Designed according to wind load and snow load request.

### • Certification:

Australia AS/NZS 1170.2-Wind load report; SGS report-Chemical&Physical test.

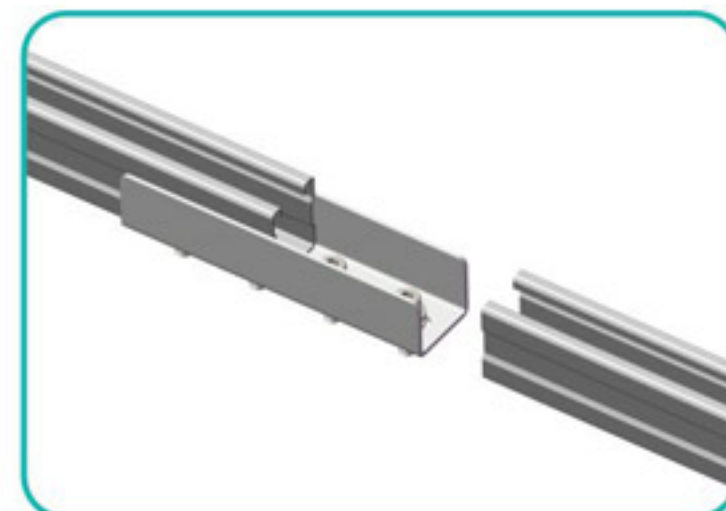
### Pre-assembled structure



rail connection

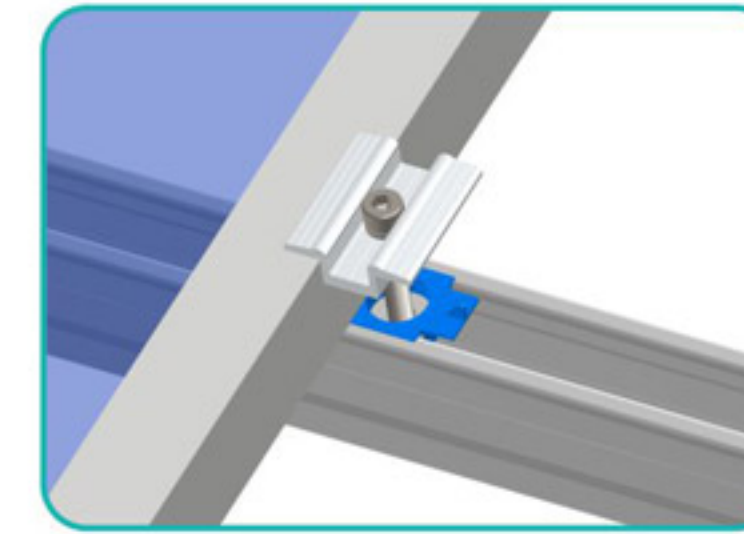


bracing connection

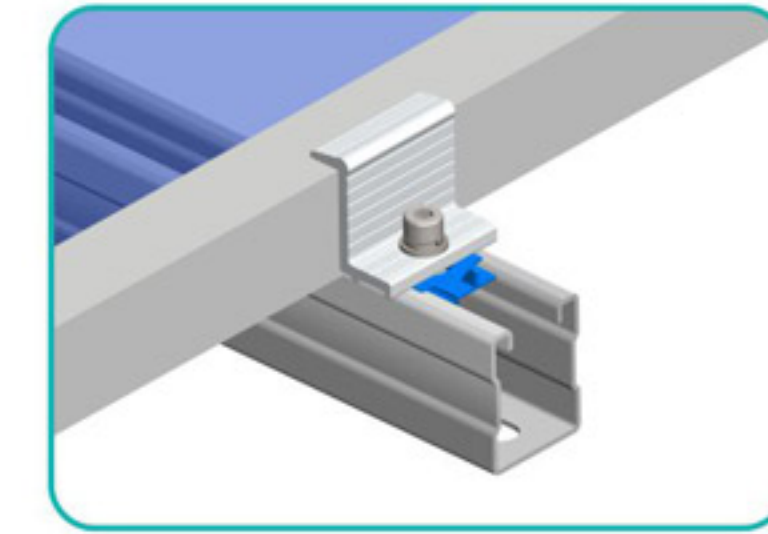


rail splice

## MAIN COMPONENTS

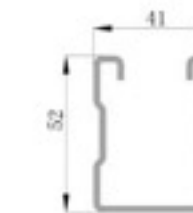


mid clamp



end clamp

### • Components



#### AS-C41/52

C41 × 52 section  
W41\*H52\*T2mm  
Material: hot dipped galvanized steel



#### AS-CTMC-P

C steel mid clamp with plastic cup  
40/50mm width  
Material: aluminum 6005-T5,  
SUS304/STEEL Q235 T nut



#### AS-CTEC-P

C steel end clamp with plastic cup  
40/50mm width  
Material: aluminum 6005-T5,  
SUS304/STEEL Q235 T nut



#### AS-SRS-C41

C41 splice  
L200\*W40\*H48mm  
Material: Hot dipped galvanized steel  
Allen bolt M10\*30mm with flange nut 4 pcs  
Application: AS-C41/C41, AS-C41/52



#### AS-C52-TTB

Tripod Triangle bracket  
L150\*W49.5\*H74.75mm  
Material: hot dipped galvanized steel  
Allen bolt: M10\*30mm 2pcs  
Hexagon bolt M10\*70mm 1pcs  
SUS304/STEEL Q235 T nut, plastic cup



#### AS-SAB-8-30-STN

M8\*30 bolt set with steel nut and plastic cup  
Allen bolt M8\*30, 35.3×20×4mm  
SUS304/STEEL Q235 T nut, plastic cup

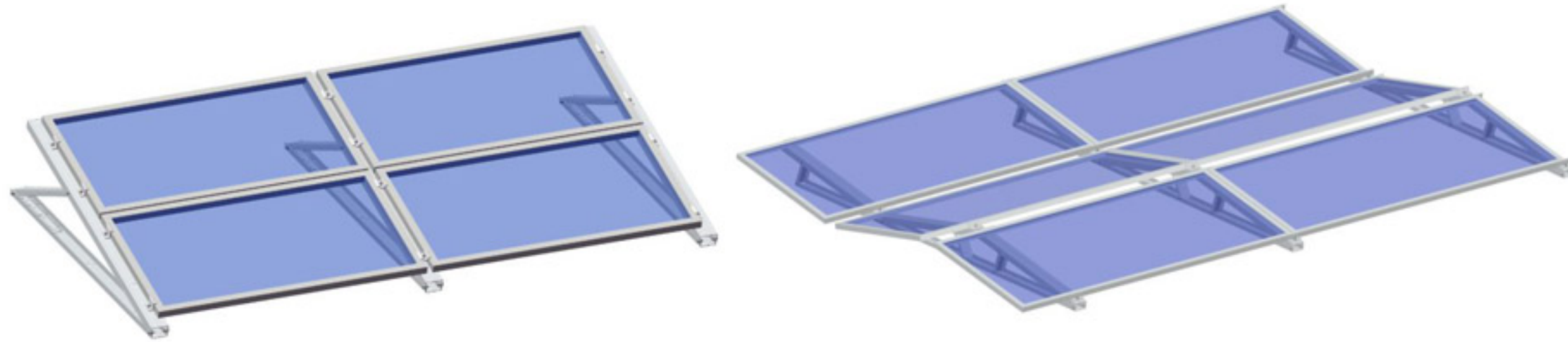


#### AS-BB-C41-700/500

Ballasted bracket  
700\*500\*1mm  
Material: dacromet steel

### • Design Features

- ① Pre-assembled triangle kit can save 50% installation time..
- ② Degree marked on the base profile which could be adjusted as 15, 20, 25, 30, 35 degree .
- ③ Suitable for landscape panel installation.
- ④ Fixed degree is alternative.
- ⑤ Railless solution will be economic.
- ⑥ Ballasted installation is also alternative

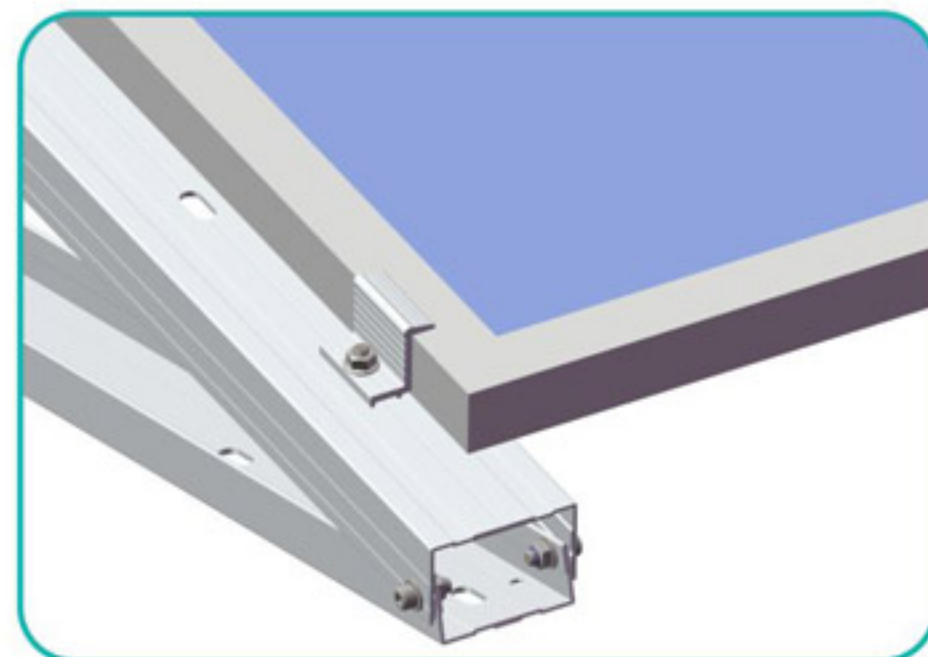
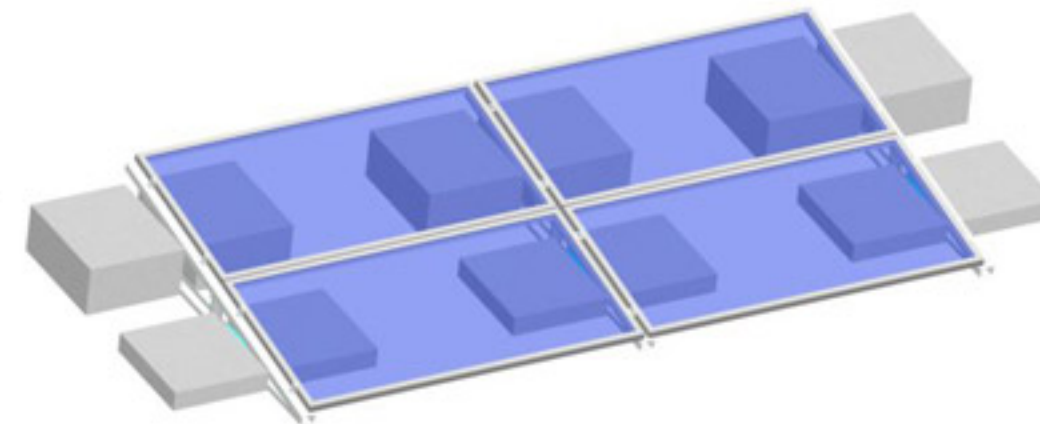


### • Surface treatment:

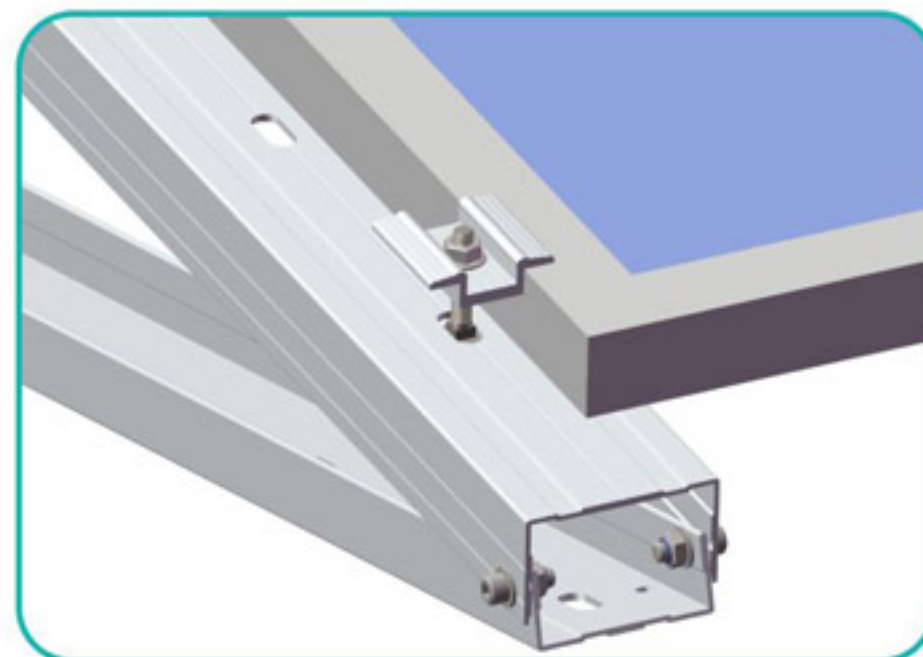
10µm thk. Anodized aluminum, stainless steel 304 bolts and nuts.

### • Design Strength:

Designed according to your request.



end clamp



middle clamp

### • Components



#### AS-STEC02

end clamp  
40/50mm width  
Material: aluminum 6005-T5  
Carriage bolt M8\*25  
Application: C profile triangle kit



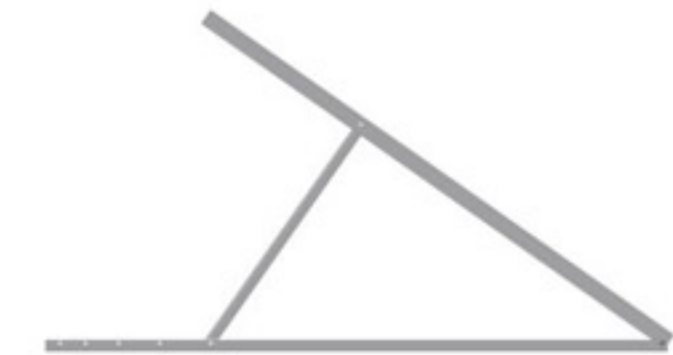
#### AS-STMC02

mid clamp  
40/50mm width  
Material: aluminum 6005-T5  
Carriage bolt M8\*50  
Application: C profile triangle kit

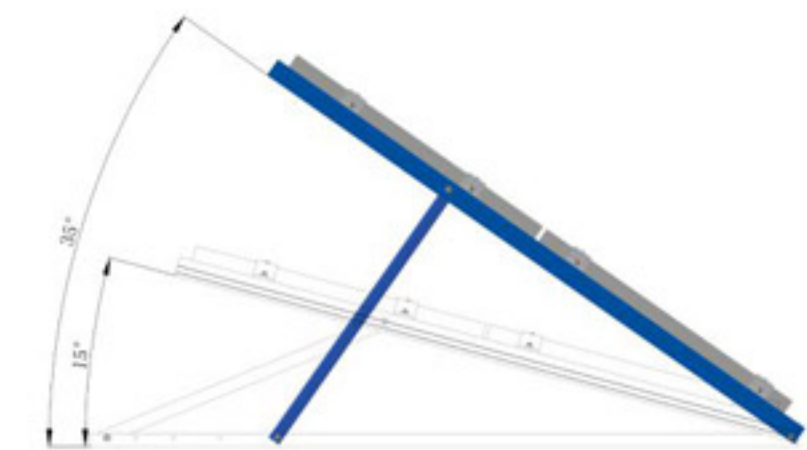
### • Pre-assembled structure



Angle:15°



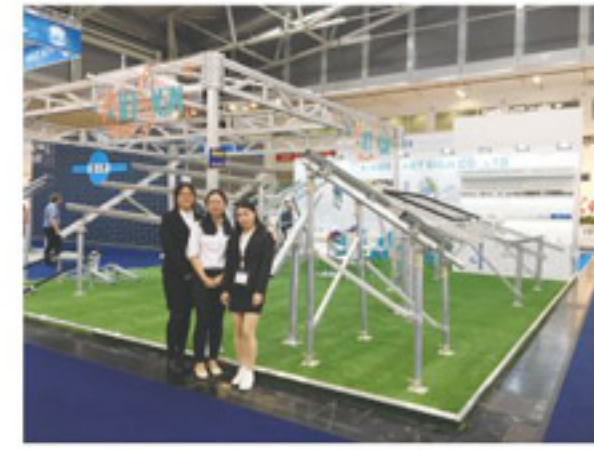
Angle:35°



# OUR EXHIBITION



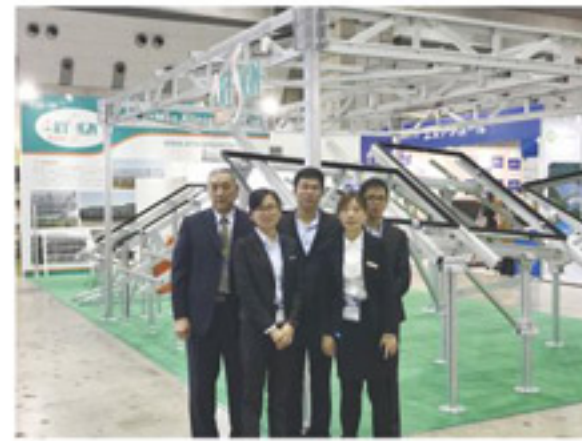
2018 SPI America



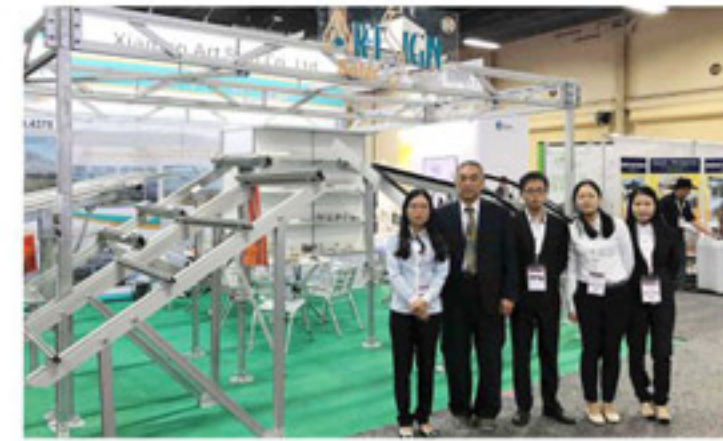
2018 Germany Inter Solar



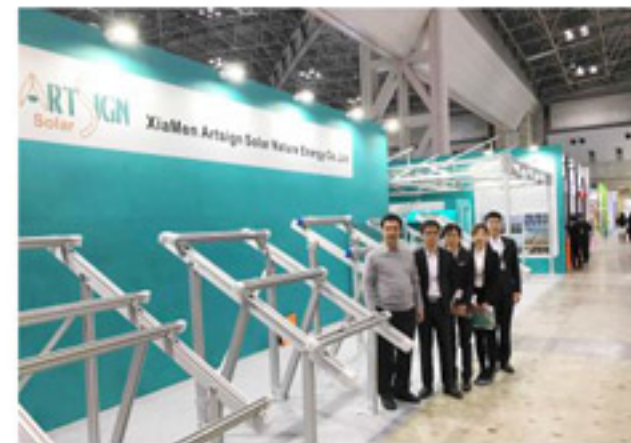
2018 MEE Dubai



2018 PV Japan



2017 SPI America



2017 PV Japan



2017 Germany Inter Solar



2017 The Green Expo Mexico



2016 PV Japan



2016 Thailand SEAN



2016 Germany Inter Solar

# CASE STUDY

